

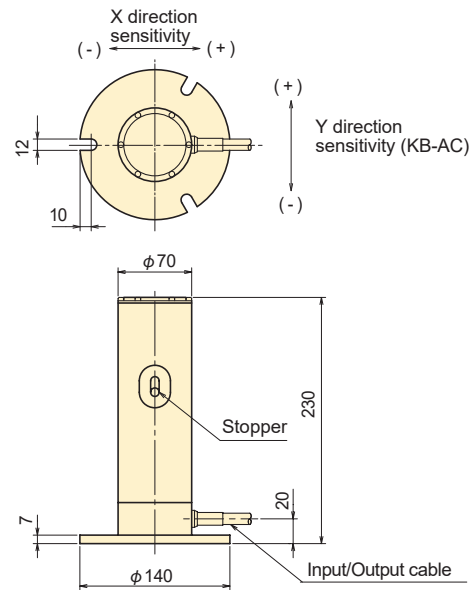


The KB-AB and KB-AC are low-capacity inclinometers. They are used to monitor the conditions of inclination of neighboring structures built by urban civil engineering works. The KB-AB measures inclination in one direction, while the KB-AC measures inclination in both X and Y directions.

Protection ratings: IP67 equivalent

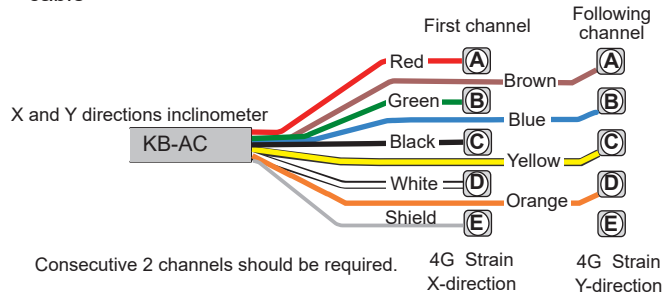
**Made of all stainless steel with excellent corrosion resistance**

**Easy carriage and installation with external stopper**  
**Two (X and Y) directional measurement with KB-AC**  
**Excellent stability**



### CONNECTION TO DATA LOGGER

X and Y directions Inclinometer KB-AC with 8-core integral cable



### SPECIFICATIONS

TYPE	KB-1AB	KB-2AB	KB-5AB	KB-1AC	KB-2AC	KB-5AC
No. of measuring direction	1			2		
Capacity	±1°	±2°	±5°	±1°	±2°	±5°
Rated output	1mV/V (2000x10 <sup>-6</sup> strain)					
Non-linearity	0.5%RO					
Cross sensitivity	-			3%RO or less		
Allowable temperature range	-20 ~ +60°C					
Input/Output resistance	350Ω					
Recommended exciting voltage	2V or less					
Allowable exciting voltage	5V					
Weight	5 kg					

Input/Output cable :  
 KB-AB φ9mm 0.5mm<sup>2</sup> 4-core shielded chloroprene cable 2m  
 KB-AC φ9mm 0.3mm<sup>2</sup> 8-core shielded vinyl cable 2m

### ACCESSORY

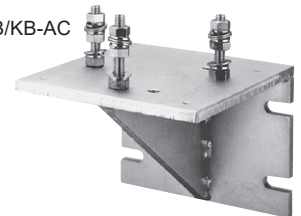
#### Protective cover KBF-13

This cover protects the KB-AB//KB-AC inclinometer installed to structure from mechanical damage.



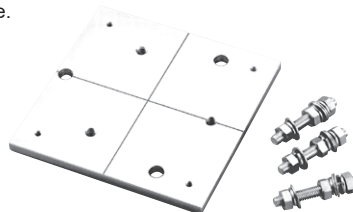
#### Wall mount fitting KBF-14

This fitting is used to mount the KB-AB/KB-AC inclinometer to wall of structure.



#### Flat mounting fitting KBF-15

This fitting is used to mount the KB-AB/KB-AC inclinometer to flat surface.



#### Level KBF-16

This level is standardly supplied to the KB-AB/KB-AC inclinometer.

