

*Digital high speed camera*

# HAS-EX

**NEW**

**A cost-effective and high performance solution**



**1,000 FPS in 1,280 × 1,024 pix**

**1.3 MP 2/3 inches CMOS sensor**

**4,000 FPS in VGA resolution (640 x 480)**

**High-speed data transmission via USB 3.0 connection**

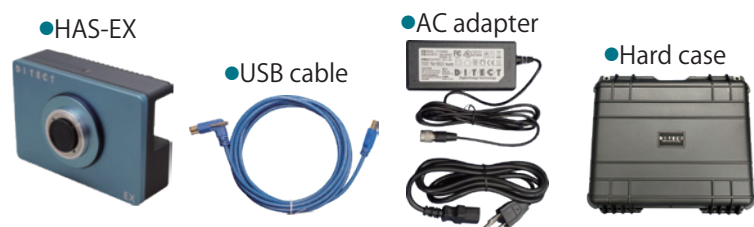
- Perfect balance between speed and resolution, compact size
- 1,000 FPS at 1,280 x 1,024 pix and 4,000 fps in VGA (640 x 480)
  - External trigger and multicamera synchronous recording
  - 6 GB of internal memory, expandable up to 12 GB
- User-friendly control software developed by DITECT allows for intuitive operation and easy data analysis

1,000 FPS at 1,280×1,024 pix. Bit shift function allows to increase the sensitivity of the image sensor and helps to produce clearer and sharper images even in challenging light conditions.

### Frame rate / resolution

Fps	Pix		112	240	320	320	576	512	640	800	1,024	1,280	1,024	1,280
	H	V	80	180	230	320	256	480	480	600	768	768	1,024	1,024
40,000			●											
20,000			●	●										
15,000			●	●	●									
12,000			●	●	●	●								
6,000			●	●	●	●	●							
5,000			●	●	●	●	●	●						
4,000			●	●	●	●	●	●	●					
2,500			●	●	●	●	●	●	●	●				
1,500			●	●	●	●	●	●	●	●	●			
1,200			●	●	●	●	●	●	●	●	●	●	●	
30~1,000			●	●	●	●	●	●	●	●	●	●	●	●

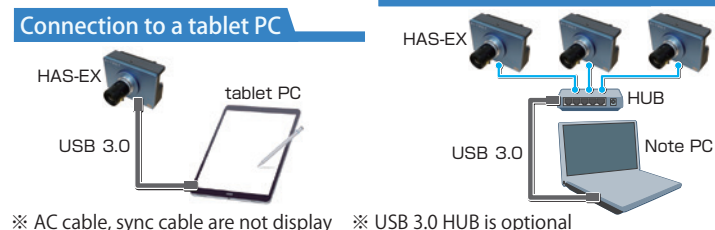
### Product configuration



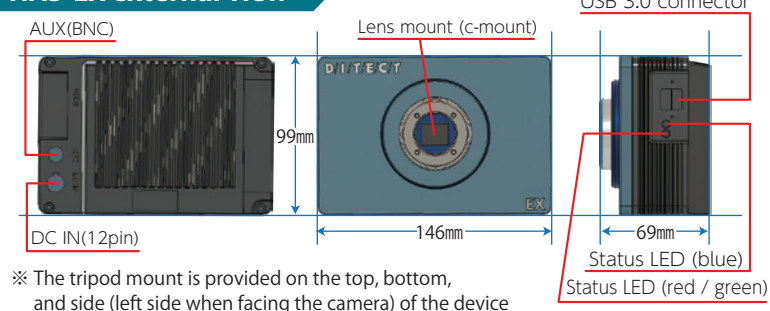
### Recording time

Frame rate (FPS)	Resolution (pixels)	Frame number	Time
1,000	1,280×1,024	4,907	4.9sec
4,000	640×480	20,858	5.2sec
10,000	320×320	61,959	6.1sec

### Multiple camera setup



### HAS-EX external view



### Specifications

Camera	
Sensor types	Monochrome (HAS-EXM) / Colour (HAS-EXC)
A/D	12 bit (camera output is 8 bit)
Max resolution	1,280 x 1,024 pix
Sensor format	2/3 inches
Pixel size	6.6 μm
Lens mount	C-mount
Data output	USB 3.0
Sensitivity	9.6 V / Lux-s
Memory	6 GB (standard) / 12 GB (optional)
Power Input	DC 12V, 1A
Power cons.	12 W
Weight	1.2 kg
Sync	Master / slave sync mode
Control Software (HAS-XViewer)	
Main features	LIVE, recording, playback, edit, save etc
REC modes	Normal / endless
Trigger	Start, end, variable, motion trigger
Formats	AVI, WMV, MP4, BMP, JPEG, PNG
Supported OS	Windows 10 / 11

※ Specifications and external appearance may be subject to change without notice.



**DITECT**  
Digital Image Technology

**DITECT Corporation**

Tokyo international office: Green Nanpeidai Building 4F  
16-29 Nanpeidai-cho, Shibuya-ku, Tokyo, 150-0036, Japan  
Phone: +81-3-5457-1212

<http://www.ditect.co.jp/en>

[support@ditect.co.jp](mailto:support@ditect.co.jp)