

Model 7109A Accelerometer



IEPE Shock Accelerometer
±5,000g to ±20,000g Ranges
Filtered Output
Miniature, Stud Mount



The Model 7109A is a miniature stud mount IEPE shock accelerometer available in ±5,000g to ±20,000g ranges. The accelerometer features a welded hermetic stainless steel construction with an integral cable for electrical connection. The model 7109A incorporates a stable piezo-ceramic crystal in annular shear mode with outstanding linearity for shock measurements. The accelerometer has an operating range of 0°C to +85°C and a flat frequency response to >10kHz.

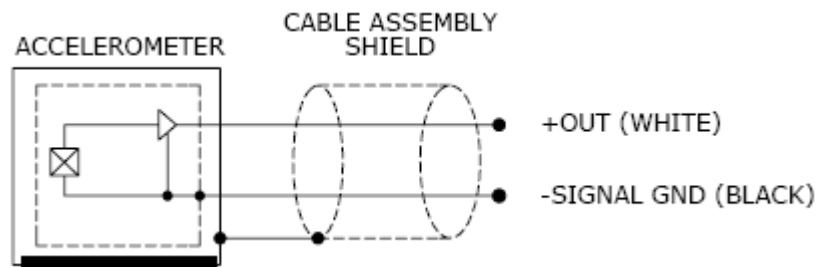
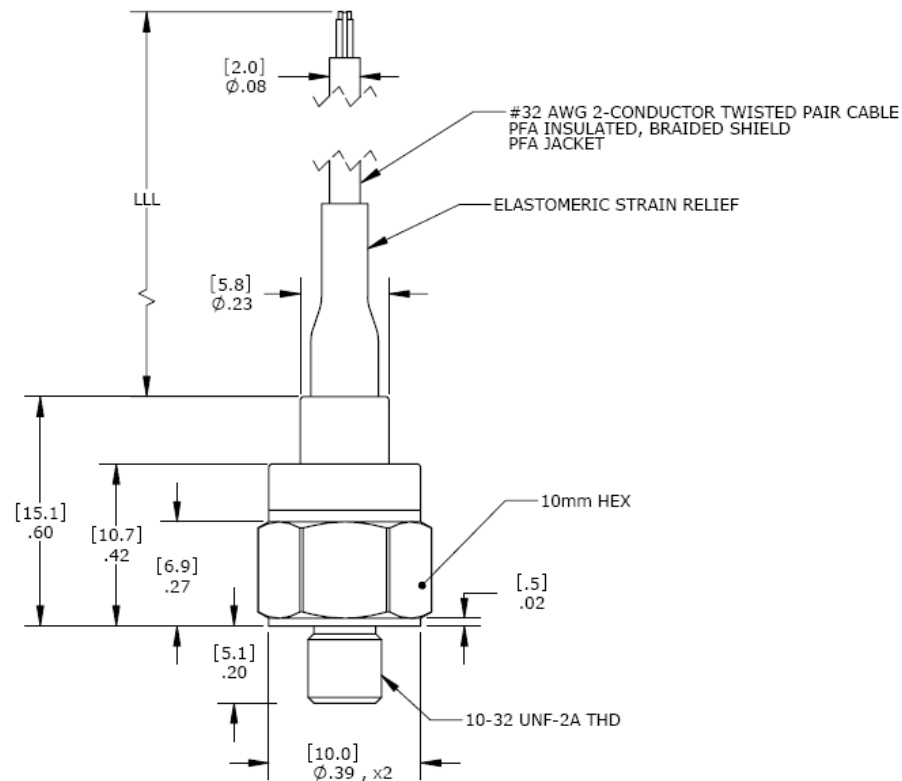
FEATURES

- ±5,000g to ±20,000g Dynamic Range
- Welded Stainless Steel
- Hermetically Sealed
- 0°C to +85°C Operating Range
- Annular Shear Mode
- Case Isolated, Internally Shielded

APPLICATIONS

- Far-field Shock Testing
- Drop Testing
- Structural Testing
- Impact Testing

dimensions



Model 7109A Accelerometer

performance specifications

All values are typical at +24°C, 100Hz and 4mA excitation unless otherwise stated. Measurement Specialties reserves the right to update and change these specifications without notice. Standard product parameters are described in PSC-1003 for Plug & Play AC Accelerometers.

Parameters

DYNAMIC

Parameters	±5,000	±10,000	±20,000
Range (g)	±5,000	±10,000	±20,000
Sensitivity (mV/g)	1.00	0.50	0.25
Frequency Response (Hz)	2-8000	2-10000	2-10000
Filter Corner Frequency (-3dB)	25000	25000	25000
Natural Frequency (kHz)	>80	>90	>90
Non-Linearity (%FSO)	±1	±1	±1
Transverse Sensitivity (%)	<5	<5	<5
Shock Limit (g)	±50,000	±50,000	±50,000

Notes

±25%
 ±1dB
 -40dB/decade rolloff

ELECTRICAL

Compliance Voltage (Vdc)	18 to 30	18 to 30	18 to 30
Excitation Current (mA)	2 to 10	2 to 10	2 to 10
Bias Voltage (Vdc)	8 to 12	8 to 12	8 to 12
Bias Voltage (Vdc)	6 to 13	6 to 13	6 to 13
Output Impedance (Ω)	<100	<100	<100
Insulation Resistance (MΩ)	>50	>50	>50
Full Scale Output Voltage (V)	±5	±5	±5
Residual Noise (g RMS)	0.06	0.04	0.03
Discharge Time Constant (sec)	1 to 3		
Warm-Up Time (sec)	<5		
Ground Isolation	Case Isolated, Internally Shielded		

Room Temperature
 -55 to +125°C

@100Vdc

Broadband 1Hz to 10kHz

ENVIRONMENTAL

Temperature Response (%)	See Typical Temperature Response Curve
Operating Temperature (°C)	0 to +85
Storage Temperature (°C)	-55 to +125
Humidity	Hermetically Sealed

PHYSICAL

Sensing Element	Ceramic (shear mode)
Case Material	Stainless Steel
Cable	#32 AWG PFA Insulated Leads, Braided Shield, PFA Jacket
Weight (grams)	5
Mounting	#10-32 or M5x0.8 Mounting Stud
Mounting Torque	18 lb-in (2.0 N-m)

See Note 1
 Cable not included

¹ A 10-32 Connector Option is Available, Installed at End of Cable Leads

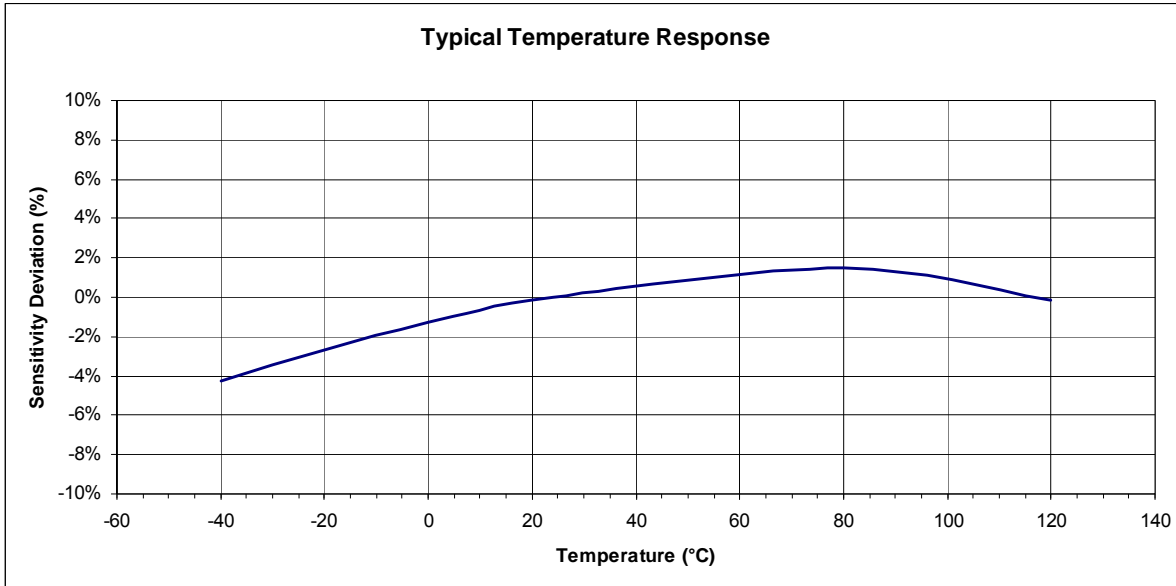
Calibration supplied: CS-SKLIN NIST Traceable Shock Calibration at 5000g

Optional accessories: 161A 4-Channel PE & IEPE Signal Conditioner

The information in this sheet has been carefully reviewed and is believed to be accurate; however, no responsibility is assumed for inaccuracies. Furthermore, this information does not convey to the purchaser of such devices any license under the patent rights to the manufacturer. Measurement Specialties, Inc. reserves the right to make changes without further notice to any product herein. Measurement Specialties, Inc. makes no warranty, representation or guarantee regarding the suitability of its product for any particular purpose, nor does Measurement Specialties, Inc. assume any liability arising out of the application or use of any product or circuit and specifically disclaims any and all liability, including without limitation consequential or incidental damages. Typical parameters can and do vary in different applications. All operating parameters must be validated for each customer application by customer's technical experts. Measurement Specialties, Inc. does not convey any license under its patent rights nor the rights of others.

Model 7109A Accelerometer

performance specifications



ordering info

PART NUMBERING Model Number+Range+Cable Length

7109A-GGG-LLL-XX

| | | Thread Option Dash Number
 | | Cable Length (120 is 120 inches)
 | Range (10K is 10,000g)

Dash Number Thread Options
 -01 #10-32 UNF-2B
 -02 M5 x 0.8 6g

Example: 7109A-10K-120-01
 Model 7109A, 10,000g, 120inch cable length, #10-32 UNF-2B stud