

texense
world pro by TEXYS



IB-4

Inertial box 4 axis Analog outputs

AC-GAS-2 Axis XY 2 axis gas accelerometer

Range	$\pm 3, \pm 5$ G
Accuracy	± 2 % FS
Sensitivity	2000 to 200 ± 2 % mV/G
Bandwidth 3dB (std)	DC to 20 Hz ± 15 %
Output Voltage	0 – 5 V
Output impedance	47 Ω
Signal at 0G	2.5 ± 0.05 V
Cross axis sensitivity	4 %
Offset drift (20 to 80°C)	± 50 mV
Gain drift (20 to 80°C)	± 1.5 %

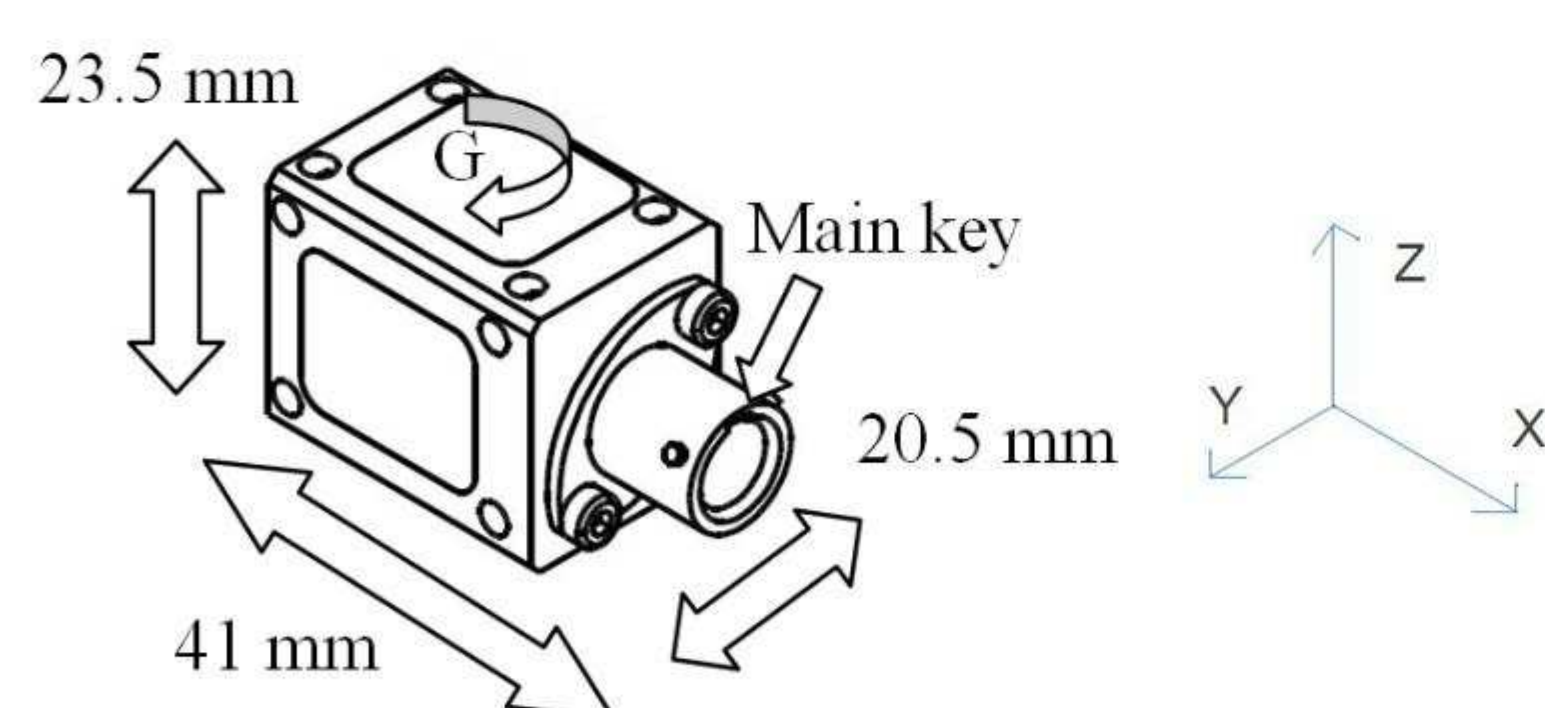
AC-CAP-1 Axis Z 1 axis capacitive accelerometer

Range	$\pm 5, \pm 10, \pm 15, \pm 20$ G
Accuracy	± 1.5 % FS
Sensitivity	400 to 100 ± 8 % mV/G
Bandwidth 6dB (std)	DC to 100 Hz
Output Voltage	0 – 5 V
Output impedance	47 Ω
Resonance	5000 Hz
Offset drift (20 to 80°C)	± 20 mV
Gain drift (20 to 80°C)	± 1 %

GYRN-1 Axis 1 axis gyroscope

Range	$\pm 100, \pm 150$ °/s
Accuracy	2 % FS
Sensitivity	20, 13.3 mV/°/s
Cut off frequency	40 Hz
Linear analog output	0 – 5 V
Output signal °/sec	2.5 ± 0.1 V
Output impedance	47 Ω
Resonance	14 KHz
Zero drift (20 to 80°C)	20 mV
Gain drift (20 to 80°C)	± 1.5 %

IB-4 specifications



Supply voltage
Supply current

5 to 16 V
17 mA

Vibration test
Shock

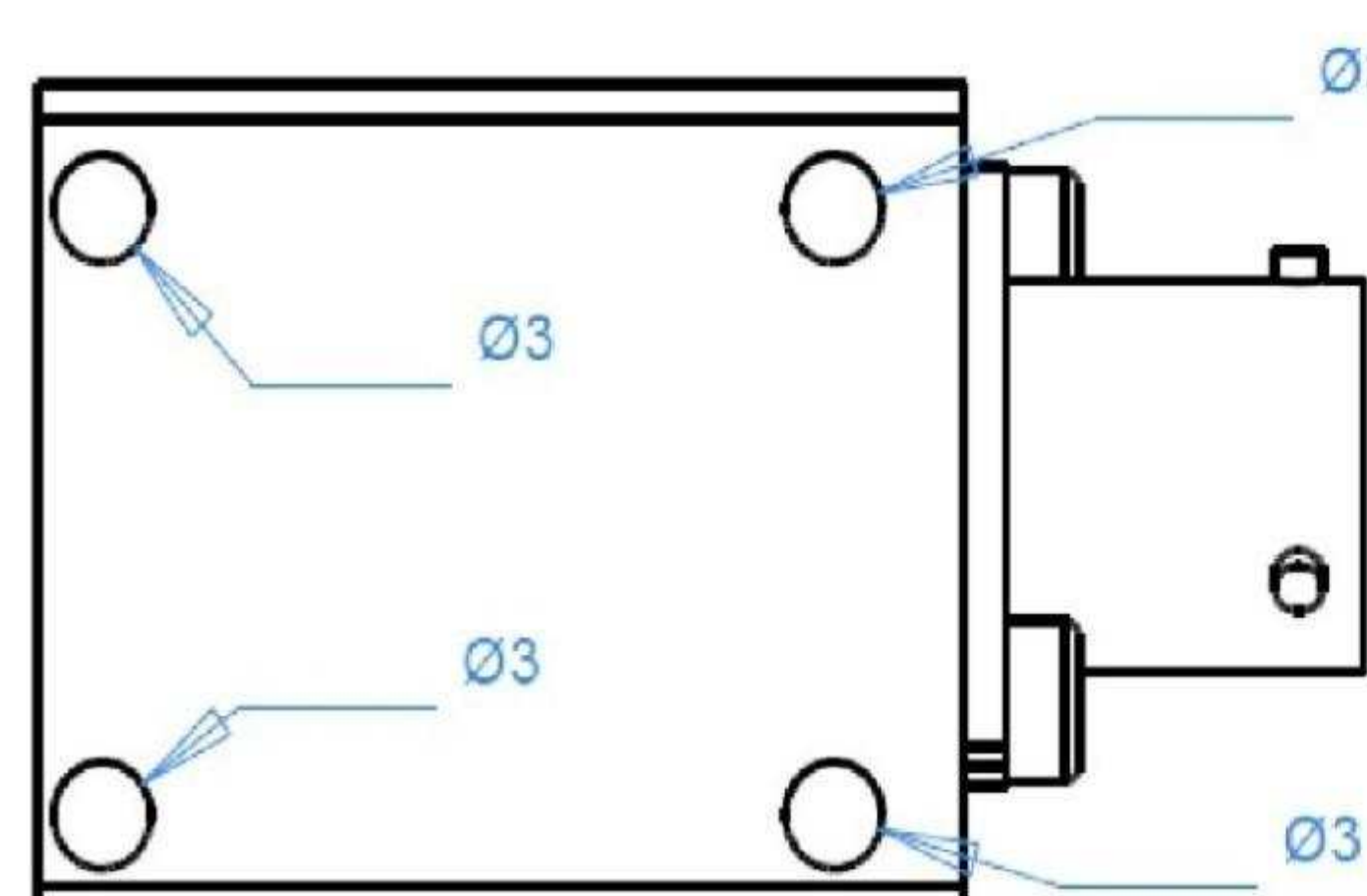
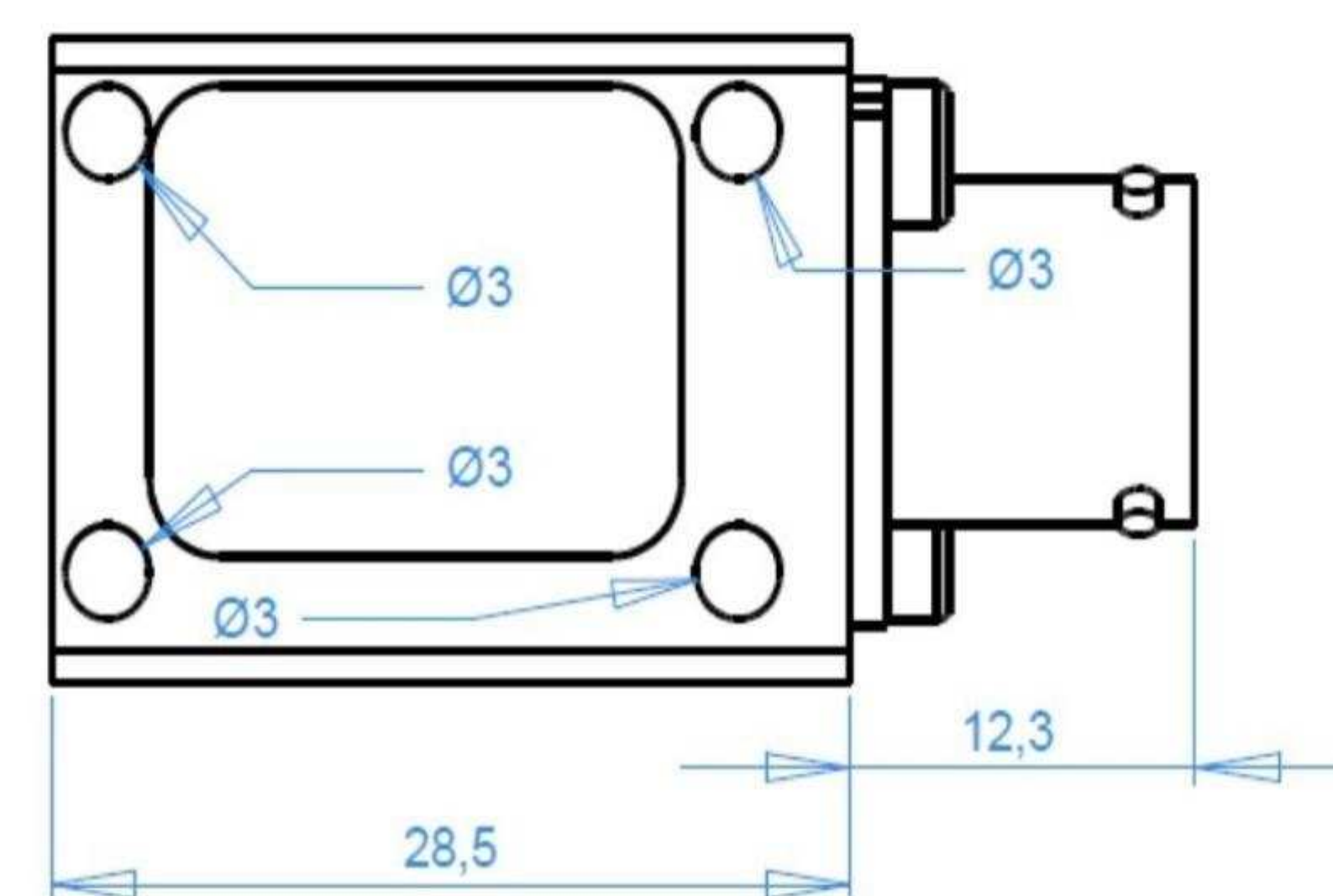
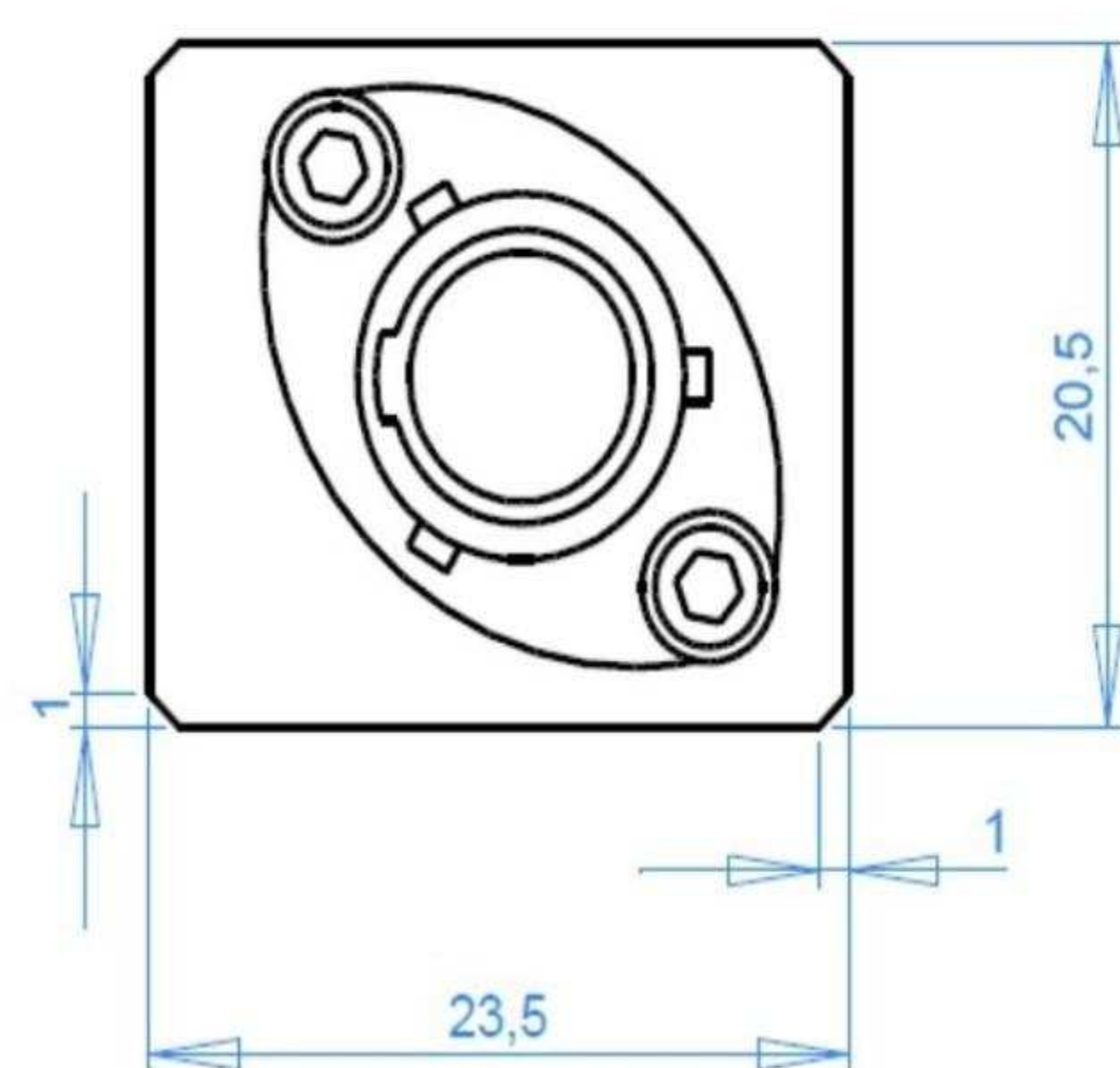
20 Gpp 5'
500 G

Operating temp
Storage temp

-20 to +85°C
-20 to +125°C

Dimension
Material
Weight

40.8 x 23.5 x 20.5 mm
Aluminium
50 g



**TEXYS
INTERNATIONAL**
ZA des Chamonds
Rue Edouard Branly
58640 Varennes-Vauzelles
(FRANCE)

Tel. : +33 (0) 3 86 21 27 18
Fax : +33 (0) 3 86 21 24 49