



PI-6

Pitot assembly Tube + pressure sensor

Range 50 to 76 mBars
0.72 to 1.10 Psi
Accuracy $\pm 1\%$ FS
Sensitivity See calibration table
Gravity sensitivity 1 mV/g
Cut off frequency 200 Hz
Offset 0.5 +/- 0.1 V

Supply voltage 5 to 16V
Supply current 2 mA
Output voltage 0 – 5 V
Output Impedance 47 Ω

Offset drift (20 to 80°C) 20 mV
Sensitivity drift (20 to 80°C) 1 %

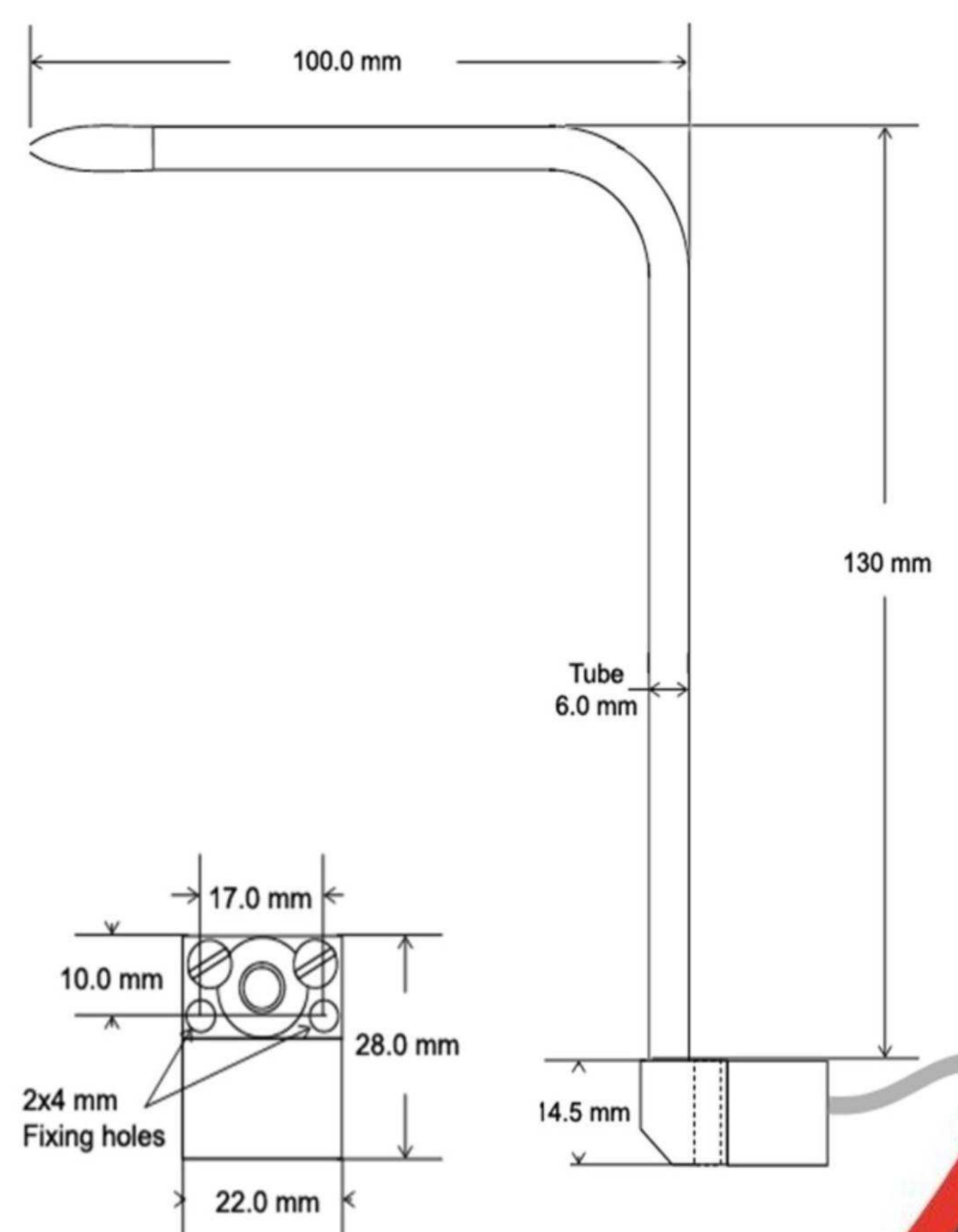
Dimension 28x22x14.5 mm
Tube ϕ 6mm 130x100 mm
Material Aluminium + stainless steel tube
Weight 70 g

Vibration test 20 Gpp 5'
Shock 500 G

Operating temp 0 to +85 °C
Storage temp -20 to +125 °C

Max Air speed at 25°C ambient temperature and 1000 HPa atmospheric pressure		
50 mB	70mB	76mB
333 km/h	394 km/h	410 km/h

Calibration table			
50 mB 0.725 Psi	0 ^v 5 @ 0	4 ^v 5 @ 500mmH ₂ O	8 mV/mmH ₂ O
70 mB 1.01 Psi	0 ^v 5 @ 0	4 ^v 5 @ 700mmH ₂ O	5,7 mV/mmH ₂ O
76 mB 1.10 Psi	0 ^v 5 @ 0	4 ^v 5 @ 760mmH ₂ O	5,3 mV/mmH ₂ O



1 m cable of 3X26AWG FEP
tinned copper braided cable 250V 200°C

Ordering ref ex : PI-6-70
PI - 6 - Range mB - Length mm*

50
70
76

*Option: PI-6 tube up to 300 mm

Red Supply
White Signal
Blue (or Black) 0 V
Braid Connected to case

TEXYS
INTERNATIONAL
ZA des Chamonds
Rue Edouard Branly
58640 Varennes-Vauzelles
(FRANCE)
Tel. : +33 (0) 3 86 21 27 18
Fax : +33 (0) 3 86 21 24 49