

# TORQUE TRANSDUCERS

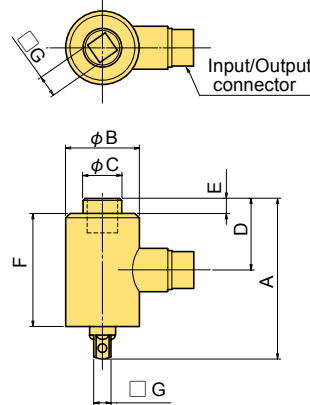
## LTA-NA Torque Transducer 50~500N·m



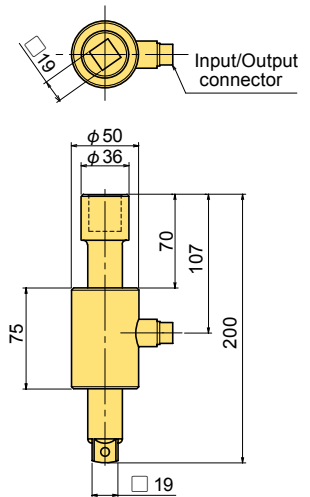
**Fastening torque measurement for bolts and nuts**

The LTA-NA Torque Transducer is a high precision transducer that is used to measure tightening force on nuts and bolts. Compact and light weight, it is mounted between the socket and the socket wrench handle. Although the transducer uses a strainmeter to take readings, it can be used to take peak readings simply by connecting it to a peak hold measuring instrument.

LTA-50 ~ -200NA



LTA-500NA



### SPECIFICATIONS

TYPE	LTA-50NA	LTA-100NA	LTA-200NA	LTA-500NA
Capacity	50N·m	100N·m	200N·m	500N·m
Rated Output	2mV/V(4000×10 <sup>-6</sup> strain) ±2%		3mV/V (6000×10 <sup>-6</sup> strain) ±2%	2mV/V(4000×10 <sup>-6</sup> strain) ±2%
Non-linearity	0.3%RO			
Temperature effect on zero	0.1%RO/°C			
Temperature effect on span	0.05%/°C			
Compensated temperature range	-10 ~ +60°C			
Allowable temperature range	-10 ~ +60°C			
Input/Output resistance	350Ω±1%			
Recommended exciting voltage	3V or less			
Allowable exciting voltage	10V			
Zero balance	10%RO			
Over Load	120%			
Weight	0.25kg	0.3kg	0.3kg	1.5kg

### Dimensions

TYPE	A	φB	φC	D	E	F	□G
LTA-50NA	75	34	18	35	7	52	9.5
LTA-100NA	75	34	23.5	38	9	48	12.7
LTA-200NA	75	34	23.5	38	9	48	12.7
LTA-500NA	As per the figure						

Protection ratings: IP40 equivalent

Supplied cable :  
CT6-4V5/NP-STB (φ6mm 0.3mm<sup>2</sup> 4-core shielded vinyl cable 5m)

## LTB-NA Torque Transducer 10N·m~1kN·m

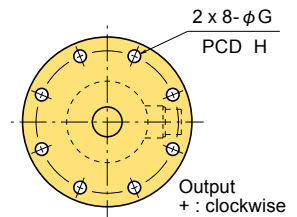
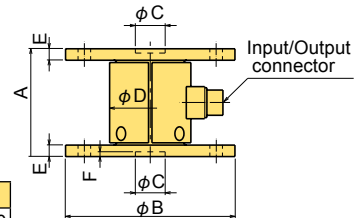


The LTB-NA Torque Transducer is a flange-mounted transducer that is installed between non-rotating measuring items in order to detect torque in the items.

Protection ratings: IP30 equivalent

### Dimensions

TYPE	A	φB	φC	φD	E	F	φG	H
LTB-10NA	55	105	20 H8	45	5	3	5.5	90
LTB-20NA	55	105	20 H8	45	5	3	5.5	90
LTB-30NA	55	105	20 H8	45	5	3	5.5	90
LTB-50NA	55	105	20 H8	45	5	3	5.5	90
LTB-100NA	75	115	20 H8	55	8	3	8.5	95
LTB-200NA	75	115	20 H8	55	8	3	8.5	95
LTB-300NA	75	115	20 H8	55	8	3	8.5	95
LTB-500NA	90	130	30 H8	60	10	3	10.5	110
LTB-1KNA	105	140	30 H8	70	12	3	12.5	115



### Flange mounting type

### SPECIFICATIONS

TYPE	LTB-10NA	LTB-20NA	LTB-30NA	LTB-50NA	LTB-100NA	LTB-200NA	LTB-300NA	LTB-500NA	LTB-1KNA
Capacity	10N·m	20N·m	30N·m	50N·m	100N·m	200N·m	300N·m	500N·m	1kN·m
Rated Output	1mV/V(2000×10 <sup>-6</sup> strain) ±2%								
Non-linearity	0.3%RO								
Hysteresis	0.3%RO								
Temperature effect on zero	0.01%RO/°C								
Temperature effect on span	0.005%/°C								
Compensated temperature range	0 ~ +40°C								
Allowable temperature range	-10 ~ +60°C								
Over load	150%								
Input/Output resistance	350Ω±1%								
Recommended exciting voltage	6V or less								
Allowable exciting voltage	10V								
Zero balance	5%RO								
Weight	1kg	1kg	1kg	1kg	2kg	2kg	2kg	3kg	5kg

Supplied cable :CT6-4V5/NP-STB (φ6mm 0.3mm<sup>2</sup> 4-core shielded vinyl cable 5m)