

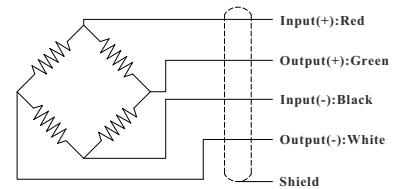
|               |   |
|---------------|---|
| Capacity (NM) | n |
| 100-1000      | 4 |
| 2000/3000     | 8 |



P-1/2

**Ordering code**  
**FTN - 100NM**  
Model Capacity

Wiring Diagram

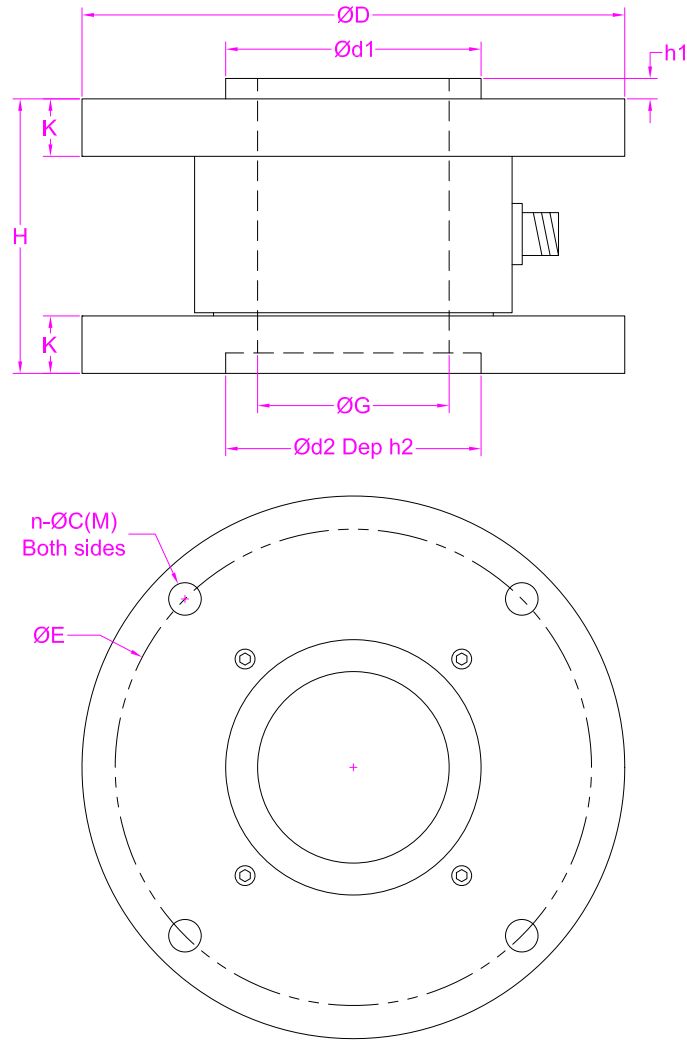


--- Specifications / 规格参数 ---

| Capacity/量程                                | 100/200/300/500/1000/2000/3000NM   |                               |                    |
|--|--|-------------------------------|--------------------|
| Rated Output<br>额定输出                       | 1.0 mV/V   | Compensated Temp.<br>温度补偿范围   | -10...+40°C        |
| Excitation<br>激励电压                         | 3~15V  | Operating Temp.<br>工作温度范围     | -20...+60°C        |
| Zero Balance<br>零点输出                       | ±0.05mV/V  | Temp. Shift Zero<br>零点温度漂移    | ±0.02% of R.O./°C  |
| Nonlinearity<br>非线性                        | ±0.25% of R.O.   | Temp. Shift Span<br>灵敏度温度漂移   | ±0.02% of R.O./°C  |
| Hysteresis<br>滞后                           | ±0.25% of R.O.   | Input Resistance<br>输入阻抗      | 750±100Ω           |
| Nonrepeatability<br>非重复性                   | ±0.2% of R.O.  | Output Resistance<br>输出阻抗     | 700±10Ω            |
| Creep(5min)<br>蠕变(5min)                    | ±0.1% of R.O.  | Insulation Resistance<br>绝缘阻抗 | >2000MΩ(50V)       |
| Safe Overload<br>安全过载                      | 150% of F.S.   | Ingress Protection<br>防护等级    | IP50               |
| Ultimate Overload<br>极限过载                  | 200% of F.S.   | Material of Element<br>弹性体材料  | Alloy steel<br>合金钢 |
| Cable<br>导线                                | Ø5*3000mm 4-core shielded cable with mating connector<br>Ø5*3000mm 4芯屏蔽线 |                               |                    |
| R.O.=Rated Output/额定输出 F.S.=Full Scale/满量程 |  |                               |                    |

• Subject to change without notice / 如有更改,不另行通知

## Custom torque sensor



P-2/2

| Capacity(NM)       |  | Quantity |   |
|--------------------|--|----------|---|
| H                  |  | K        |   |
| D                  |  | E        |   |
| n                  |  | C(M)     |   |
| d1                 |  | h1       |   |
| d2                 |  | h2       |   |
| G                  |  | /        | / |
| Other requirements |  |          |   |

- For dimensions that don't matter, please fill in "Given by design" or acceptable range like "25~40mm".
- Drawings provided by clients are also welcome.
- Forsentek will evaluate the feasibility upon the given parameters and propose modifications accordingly to make it work.