

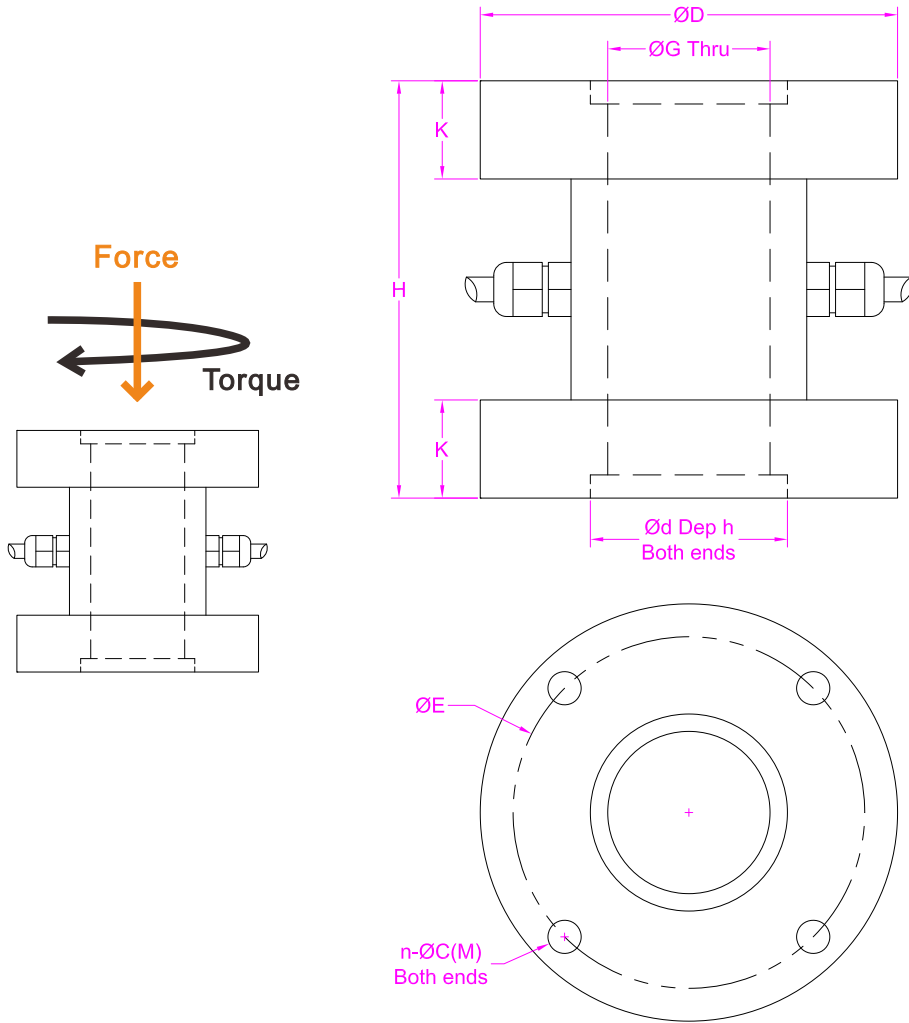
--- Specifications ---

P-1/2

| | Torque | Force |
|-----------------------|-----------------------------------|---------------|
| Capacity | 20NM | 3kN |
| Rated Output | 1.5 mV/V | 1.0 mV/V |
| Excitation | 3~15V | |
| Zero Balance | ±3% of R.O. | |
| Nonlinearity | ±0.3% of R.O. | ±0.3% of R.O. |
| Hysteresis | ±0.3% of R.O. | ±0.3% of R.O. |
| Nonrepeatability | ±0.2% of R.O. | ±0.2% of R.O. |
| Creep(10min) | ±0.1% of R.O. | |
| Safe Overload | 120% of F.S. | |
| Ultimate Overload | 150% of F.S. | |
| Working Temperature | -10...+60°C | |
| Temp. Shift Zero | ±0.03% of R.O./°C | |
| Temp. Shift Span | ±0.01% of R.O./°C | |
| Input Resistance | 700±100Ω | 380±30Ω |
| Output Resistance | 700±20Ω | 350±5Ω |
| Insulation Resistance | >2000MΩ(50V) | |
| Material | Aluminum alloy | |
| Ingress Protection | IP50 | |
| Cable | Ø3.3*3000mm 4-core shielded cable | |

• Subject to change without notice

Custom Force Torque Sensor



P-2/2

| Torque(NM) | | Force(N) | |
|--------------------|--|----------|---|
| H | | K | |
| D | | E | |
| n | | C(M) | |
| d | | h | |
| G | | / | / |
| Other requirements | | | |

- For dimensions that don't matter, please fill in "/" or acceptable range like "25~40mm".
- Drawings provided by clients are also welcome.
- Forsentek will evaluate the feasibility upon the given parameters and propose modifications accordingly to make it work.