



IRN-2 Linear outputs

Linear analog & digital temperature sensor

Range From -20 to 100°C
To 300 to 1200°C

Accuracy 2% FS

Sensitivity Linear output. See calibration in mV/°C

Response time 50 ms

Supply voltage 3.3 to 30 V

Supply current 4 mA

Output signal
Standard 0 to 5 V
Optional 0 to 3 V or 0 to 10 V

Digital output* Ascii data @ 50 Hz

Wave length 8 to 14

Measurement distance 20 to 150 mm

Emissivity (factory tuning) > 99 %

Emissivity / Distance tuning* Gain factor 0.1 to 10

Operating temperature -20 to +120°C

Storage temperature -25 to +125°C

*Only with Texense USB connect

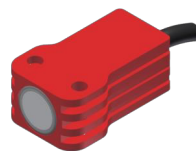
Ordering ref:
IRN2 - Housing - Range - Output
T (27x17x11) 150 3 [0-3V]
V (M12x32) 300 5 [0-5V]
1000 10 [0-10V]
...

ex: IRN2-T-300-5

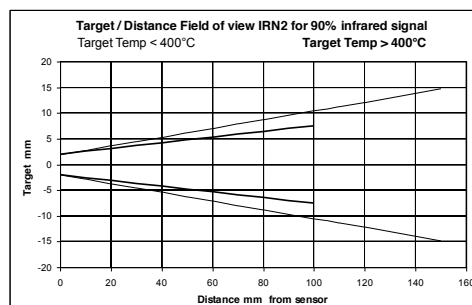
Red Supply
Black 0 V
Braid Not connected
White Analog signal
Green* Digital signal

1 m cable:
4x26AWG FEP tinned copper
braided cable 250V 200°C

"T" type



"V" type



Calibration tables (Examples for 0-5V output)

°C	100°C 35mV/°C	200°C 20mV/°C	300°C 12.5mV/°C	500°C 9mV/°C	1000°C 4mV/°C	1200°C 3.5mV/°C
-20	0.30	0.10	0.50	0.07	-	-
0	1.00	0.50	0.75	0.25	-	-
25	1.88	1.00	1.06	0.475	0.60	0.59
50	2.75	1.50	1.38	0.7	0.70	0.68
75	3.63	2.00	1.69	0.925	0.80	0.76
100	4.50	2.50	2.00	1.15	0.90	0.85
150		3.50	2.63	1.6	1.10	1.025
200		4.50	3.25	2.05	1.30	1.20
300			4.50	2.95	1.70	1.55
500				4.75	2.50	2.25
700					3.30	2.95
900					4.10	3.65
1000					4.50	4.00
1100						4.35
1200						4.70

Accuracy not guaranteed for grey cells



IRN-2 Linear outputs

Linear analog & digital temperature sensor

Housing

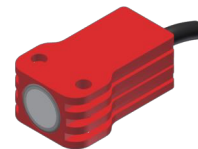
Aluminium

"T" type

"V" type

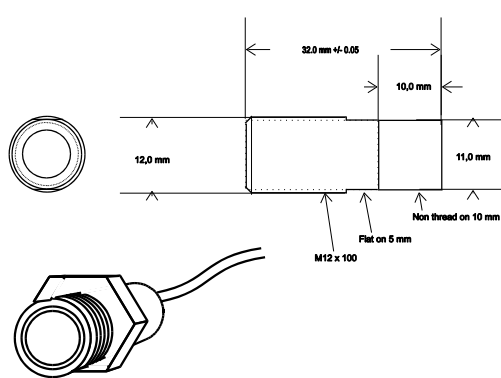
"T" type
"V" type

27x17x11 mm
M12x1x length 32 mm

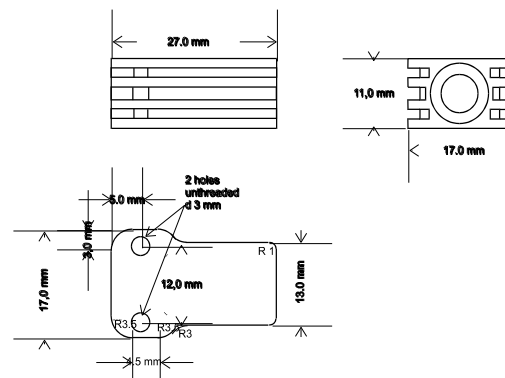


Weight (without cable)

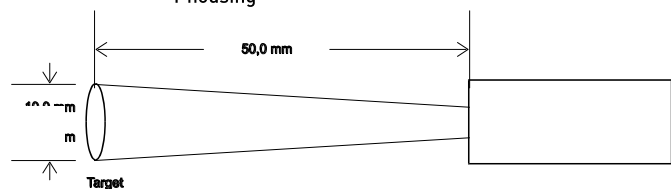
15 g



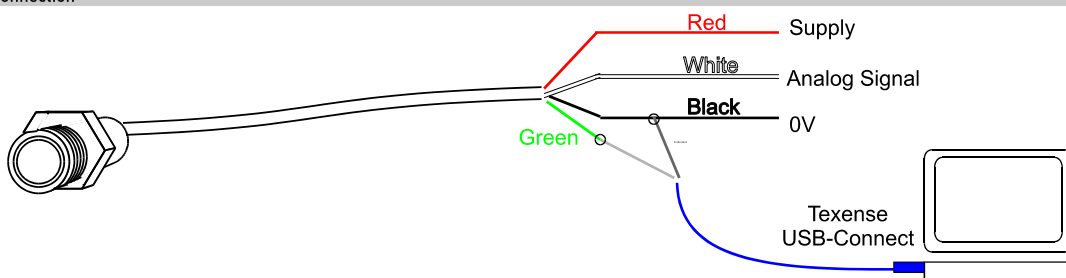
V housing



T housing



Connection



In the interest of continuous product improvement, we reserve the right to alter without prior notice the specifications and features described in this document