

INFT-1000-V2

Infrared Temperature Sensor 1000°C range

SN: I#####

Texense sensors are designed for data logging. Should the users want to include this sensor in a closed loop system, they must undertake total responsibility from doing so.

Measurement features		
Range	1000	°C
Accuracy ⁽¹⁾	±1	%FS
Sensitivity at +Full-scale	15	mV/°C
Response time	50	ms
Sensitive Element	Thermopile with silicon lens	
Wave Length	8 to 14	µm
Measurement distance	30 to 100	mm
Field of view (90% radiation)	5:1 at 50mm	
Calibrator Reference	Land P1200P	
Calibrator Emissivity	99%	
Electrical features		
Supply Voltage	5.5 to 16	V
Supply Current	1.5	mA
Protection	Reverse voltage and short circuit protection	
Output signal	0-5	V
Mechanical features		
Dimensions	27 x 17 x 11	mm
Material	Aluminum	
Weight (without cable)	9.5	g
Environment		
Protection	IP64	
Vibration test	20Gpp 5'	
Shock	500	G
Operating Temp	-20 to +150	°C
Storage Temp	-40 to +150	°C

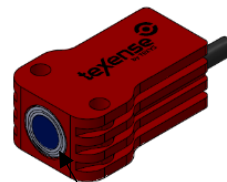
(1) The accuracy is only guaranteed if sensor ambient temperature is within 0°C to 100°C and target temperature ≥300°C

Date		Operator	
Customer			
Order			
Ref	INFT-##-1000-V2		

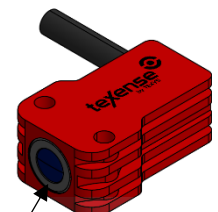
Sensor readings	
Calibrator temperature (°C)	Signal output value (V)
25°C	...V
1000°C	...V

Calibration table		
Target temperature (°C)	Output for carbon target (V)	Output for steel target (V)
25	0.000	0.000
100	0.021	0.012
200	0.076	0.052
300	0.180	0.137
400	0.355	0.285
500	0.628	0.517
600	1.031	0.859
700	1.598	1.338
800	2.370	1.992
900	3.391	2.866
1000	4.710	4.016

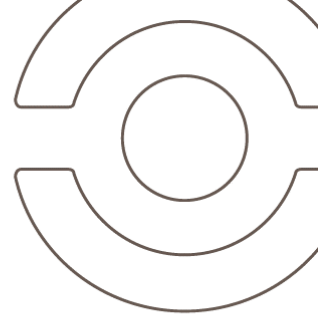
Standard cable output



Right angle cable output

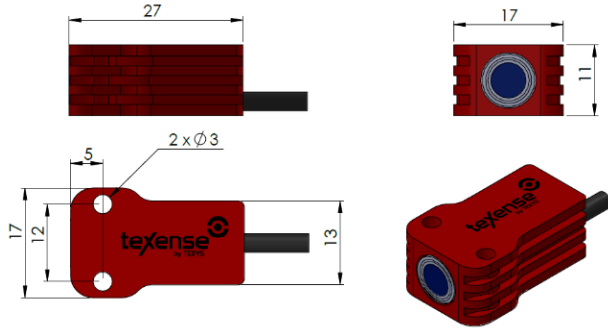


Warning: the metallic ring around the lens is grounded inside the sensor. Avoid any electrical contact.

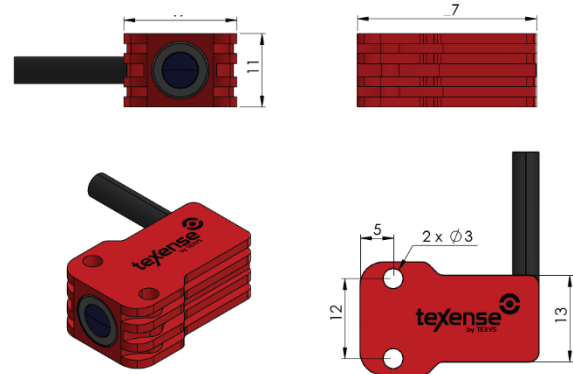


Mechanical drawing

Standard cable output



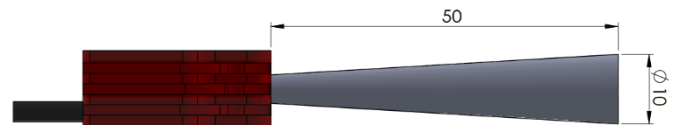
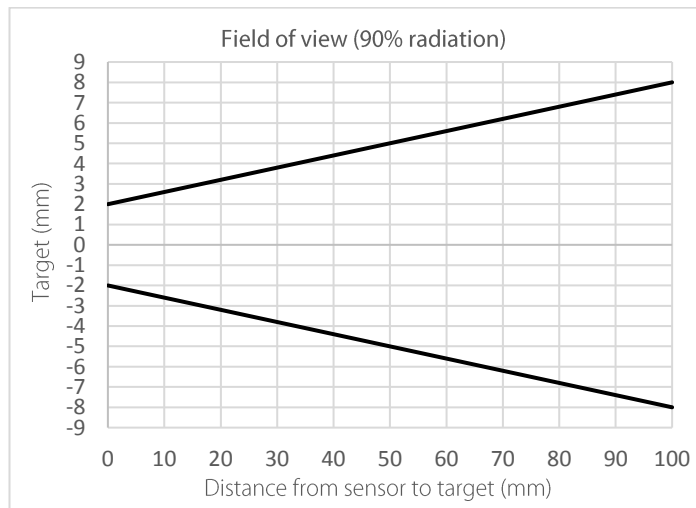
Right angle cable output



Cable and pinout

Cable		
<input checked="" type="checkbox"/> Default 3x26AWG FEP tinned copper braided cable 250V 200°C <input type="checkbox"/> Optional EPD117723A Length: 1000 mm ±10% Tubing: None Connector: N/A		
Color	Function	Pin
Red	Supply	-
White or blue	Signal	-
Black	0V	-
Braid (not for EPD 117723A)		-

FOV (field of view)



Ordering information

Ordering ref:

INFT-1000-V2: straight cable output (standard)
 INFT-RA-1000-V2: right angle cable output