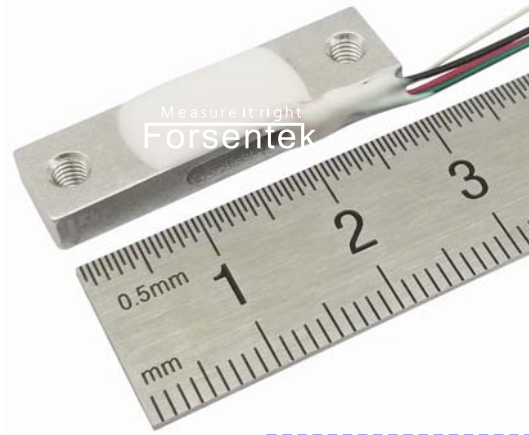
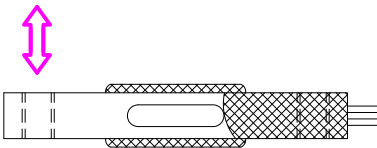
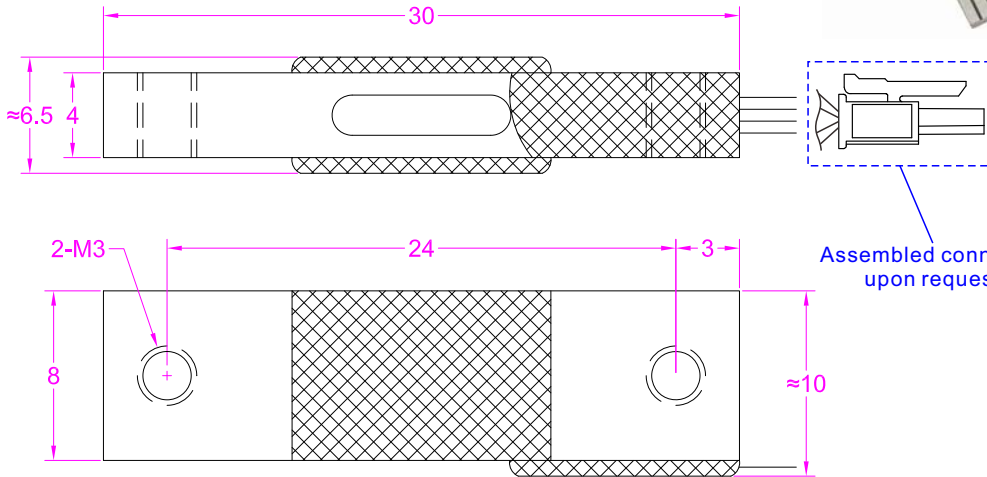


Load direction/加载方向



Dimensions in "mm"

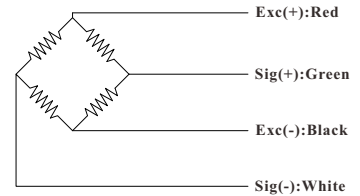


Ordering code

FMZX-5kg

Model Capacity

Wiring Diagram



--- Specifications / 规格参数 ---

Capacity/量程	5/10kg (Customizable)		
Rated Output 额定输出	1.65±0.2 mV/V	Compensated Temp. 温度补偿范围	0...+40°C
Excitation 激励电压	3~12V	Operating Temp. 工作温度范围	-10...+60°C
Zero Balance 零点输出	±0.1mV/V	Temp. Shift Zero 零点温度漂移	±0.03% of R.O./°C
Nonlinearity 非线性	±0.1% of R.O.	Temp. Shift Span 灵敏度温度漂移	±0.02% of R.O./°C
Hysteresis 滞后	±0.1% of R.O.	Input Resistance 输入阻抗	1020±100Ω
Nonrepeatability 非重复性	±0.05% of R.O.	Output Resistance 输出阻抗	1020±100Ω
Creep(3min) 蠕变(3min)	±0.05% of R.O.	Insulation Resistance 绝缘阻抗	>2000MΩ(50V)
Safe Overload 安全过载	120% of F.S.	Ingress Protection 防护等级	IP62
Ultimate Overload 极限过载	150% of F.S.	Material of Element 弹性体材料	Aluminum alloy 铝合金
Cable 导线	AWG32*170mm(Customized cable available)		
R.O.=Rated Output/额定输出 F.S.=Full Scale/满量程			

• Subject to change without notice / 如有更改,不另行通知