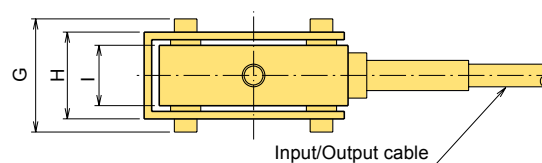
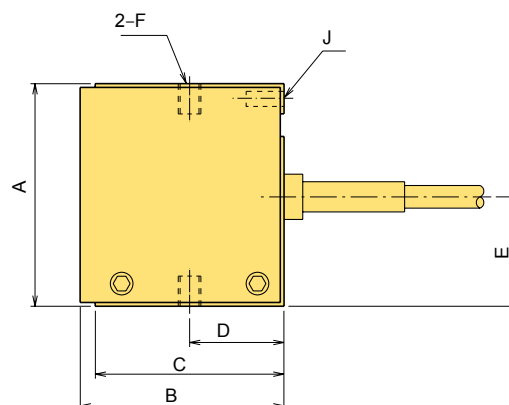


TCLZ-NA Tension/Compression Universal Load Cell 10N~10kN



The TCLZ-NA Tension/Compression Universal Load Cell is a high precision load cell that is compact and light weight. With its beam type internal structure, it is widely used as a sensor for controlling industrial machinery.

Protection ratings: IP41 equivalent



**High precision
Various capacities**

■ Dimensions

TYPE	A	B	C	D	E	F	G	H	I	J
TCLZ-10NA	59	84	80	40	29.5	M6 x 1 DP8	28	21	14	φ4 DP10
TCLZ-20NA	59	84	80	40	29.5	M6 x 1 DP8	28	21	14	φ4 DP10
TCLZ-50NA	59	54	50	25	29.5	M6 x 1 DP8	30	23	16	φ4 DP10
TCLZ-100NA	59	54	50	25	29.5	M6 x 1 DP8	30	23	16	φ4 DP10
TCLZ-200NA	59	54	50	25	29.5	M6 x 1 DP8	30	23	16	φ4 DP10
TCLZ-500NA	67	54	50	25	33.5	M12 x 1.75 DP12	34	27	20	φ6 DP12
TCLZ-1KNA	67	54	50	25	33.5	M12 x 1.75 DP12	34	27	20	φ6 DP12
TCLZ-2KNA	57	54	50	25	33.5	M12 x 1.75 DP12	34	27	20	φ6 DP12
TCLZ-5KNA	75	60	56	28	37.5	M12 x 1.75 DP14	34	27	20	φ6 DP12
TCLZ-10KNA	75	60	56	28	37.5	M12 x 1.75 DP14	34	27	20	φ6 DP12

■ Fitting accessory

TYPE	Rotary attachment FD	Rod Ends FE	Eye Bolts FF	Load Button FG	Shackle FH
TCLZ-10NA~200NA	FD-002	FE-002A	-	FG-002	-
TCLZ-500NA~5KNA	FD-05A	FE-05A	FF-1	FG-05	FH-1B
TCLZ-10KNA	FD-1A	FE-1A	FF1	FG-05	FH-1B

■ SPECIFICATIONS

TYPE	TCLZ-10NA	TCLZ-20NA	TCLZ-50NA	TCLZ-100NA	TCLZ-200NA	TCLZ-500NA	TCLZ-1KNA	TCLZ-2KNA	TCLZ-5KNA	TCLZ-10KNA	
Capacity	10N	20N	50N	100N	200N	500N	1kN	2kN	5kN	10kN	
Rated Output	1.25mV/V(2500×10 ⁻⁶ strain) ±0.5%		2mV/V(4000×10 ⁻⁶ strain) ±0.5%								
Non-linearity	0.05%RO		0.03%RO					0.05%RO			
Hysteresis	0.05%RO		0.03%RO					0.05%RO			
Natural frequency	0.14kHz	0.21kHz	0.45kHz	0.59kHz	0.87kHz	1.2kHz	1.7kHz	2.9kHz	3.5kHz	3.6kHz	
Temperature effect on zero	0.01%/RO/°C					0.005%/RO/°C					
Temperature effect on span	0.005%/°C										
Compensated temperature range	-10 ~ +60°C										
Allowable temperature range	-20 ~ +70°C										
Over load	150%										
Input/Output resistance	350Ω±2%		350Ω±1%								
Recommended exciting voltage	Less than 6V										
Allowable exciting voltage	15V										
Zero balance	5%RO										
Weight	0.2kg	0.2kg	0.1kg	0.1kg	0.1kg	0.4kg	0.4kg	0.4kg	0.6kg	0.6kg	

Input/Output cable : φ3mm 0.05mm² 4-core shielded chloroprene cable 5m
 : φ6mm 0.35mm² 4-core shielded chloroprene cable 5m