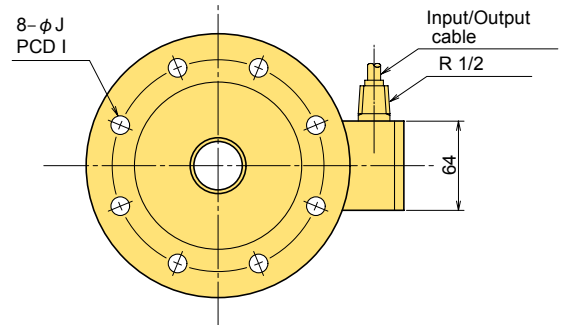
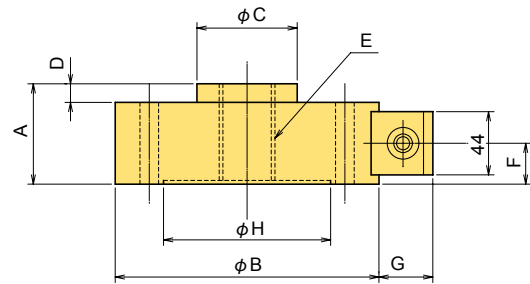


# LOAD CELLS

## TCLM-NB Tension/Compression Universal Load Cell 10~200kN



The TCLM-NB Tension/Compression Universal Load Cell is an inert-gas encased load cell in a hermetically sealed package. It offers high precision, high output characteristics and excellent stability because it uses a shear beam for the strain sensing element. The model is widely used in applications like test equipment

Protection ratings: IP65 equivalent

**High precision**  
**Inert gas hermetically sealed**

### ■ Dimensions

TYPE	A	φB	φC	D	E	F	G	φH	I	φJ
TCLM-10KNB	60	118	26	8	M12 x 1.75	26	37	68	90	8.5
TCLM-20KNB	60	118	26	8	M18 x 1.5	26	37	68	90	8.5
TCLM-50KNB	60	127	32	8	M24 x 2	26	37	76	100	8.5
TCLM-100KNB	70	187	70	12	M39 x 2	29	38	116	150	13
TCLM-200KNB	85	226	94	12	M50 x 2	37	38	146	185	17

### ■ Fitting accessory

TYPE	Spherical Cap FA	Mounting Flange FB	Rotary attachment FD	Rod Ends FE	Eye Bolts FF	Load Button FG	Shackle FH
TCLM-10KNB	FA-60	FB-1M	FD-1A	FE-1A	FF-1	FG-1	FH-1B
TCLM-20KNB	FA-80	FB-2M	FD-2A	FE-2A	FF-2	FG-2	FH-2B
TCLM-50KNB	FA-100	FB-5M	FD-5	FE-5A	FF-5	FG-5	FH-5B
TCLM-100KNB	FA-140	FB-10M	FD-10	FE-10A	FF-10	FG-10	FH-10B
TCLM-200KNB	FA-140	FB-20M	FD-20	FE-20A	FF-20B	FG-20	FH-20B

### ■ SPECIFICATIONS

TYPE	TCLM-10KNB	TCLM-20KNB	TCLM-50KNB	TCLM-100KNB	TCLM-200KNB
Capacity	10kN	20kN	50kN	100kN	200kN
Rated Output	2.5mV/V(5000×10 <sup>-6</sup> strain) ±0.5%				
Non-linearity	0.05%RO				
Hysteresis	0.05%RO				
Natural frequency	1.4kHz	6.3kHz	8.2kHz	6.9kHz	5.6kHz
Temperature effect on zero	0.002%RO/°C				
Temperature effect on span	0.002%/°C				
Compensated temperature range	-10 ~ +60°C				
Allowable temperature range	-30 ~ +80°C				
Over load	150%				
Input/Output resistance	350Ω±1%				
Recommended exciting voltage	Less than 10V				
Allowable exciting voltage	20V				
Zero balance	5%RO				
Weight	4kg	4kg	6kg	10kg	17kg

Input/Output cable : φ9mm 0.5mm<sup>2</sup> 4-core shielded chloroprene cable 5m