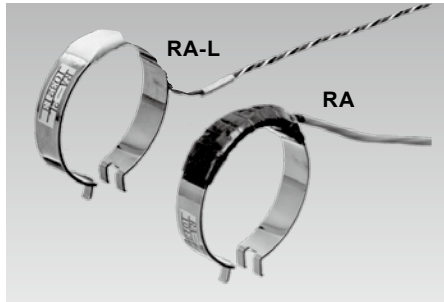


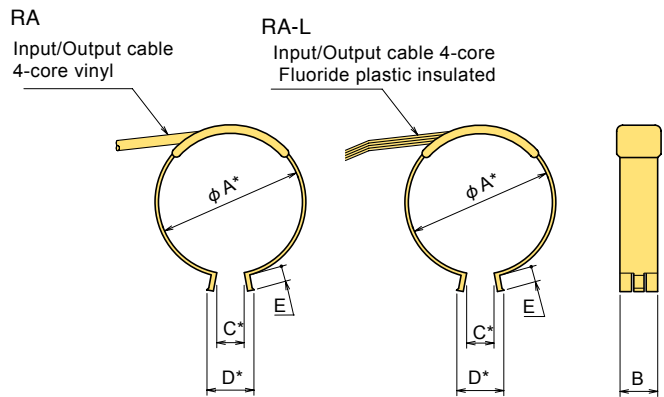
DISPLACEMENT TRANSDUCERS

RA/RA-L Clip-shape Displacement Transducer 2/5mm



Clip-on type

The RA Clip-shape Displacement Transducer is designed to measure crack opening displacement(COD) in metal.
The RA-L Cryogenic Clip-shape Displacement Transducer is designed to measure crack opening displacement(COD) in metal under low-temperature conditions.



* : Approximate value

SPECIFICATIONS

| TYPE | RA-2 / RA-2L | RA-5 / RA-5L |
|--|---|---------------------------------------|
| Capacity | 2 (2~4) mm | 5 (2~7) mm |
| Rated Output | 1mV/V(2000×10 ⁻⁶ strain) | 1.5mV/V(3000×10 ⁻⁶ strain) |
| Sensitivity(x10 ⁻⁶ strain)/mm | 1000 | 600 |
| Non-linearity | 1%RO | |
| Allowable temperature range | RA-2/RA-5 : 0 ~ +40°C RA-2L/RA-5L : -196 ~ +40°C | |
| Input/Output resistance | 350Ω | |
| Recommended exciting voltage | Less than 2V | |
| Allowable exciting voltage | 10V | |
| Weight | RA-2 : 31g RA-2L : 22g | RA-5 : 35g RA-5L : 28g |

Input/Output cable : RA-2/RA-5 : ϕ 3mm 0.09mm² 4-core vinyl cable 2m
RA-2L/RA-5L : 0.08mm² 4-core Fluoride plastic insulated cable 2m

Dimensions

| TYPE | ϕA | B | C | D | E |
|--------------|----------|----|----|----|----|
| RA-2 / RA-2L | 40 | 10 | 8 | 13 | 5 |
| RA-5 / RA-5L | 50 | 12 | 14 | 19 | 10 |

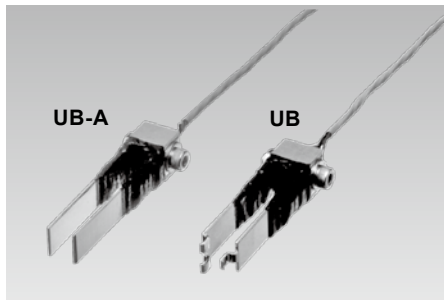
Accessory

Fixing Jig RAF-11

The RAF-11 is pre-mounted of test specimen in order to clasp-mount the RA and RA-L.

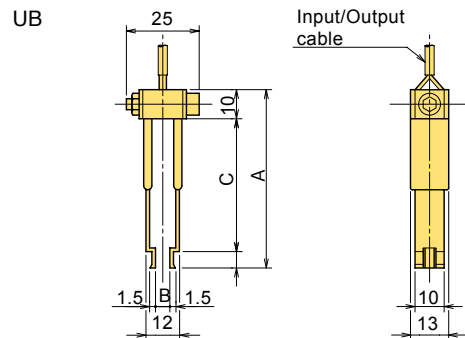
NB: Calibration of RA-L for cryogenic use is available only at room temperature

UB / UB-A Clip-shape Displacement Transducer 2/5mm



Clip-on type

The UB and UB-5A Clip-shape Displacement Transducers are designed to measure crack opening displacement(COD) in metal. The UB-5A has a shape of the tip conforms to ASTM specifications.



Dimensions

| TYPE | A | B | C |
|------|----|---|----|
| UB-2 | 40 | 2 | 26 |
| UB-5 | 60 | 5 | 46 |

Accessory

Fixing Jig RAF-11

The RAF-11 is pre-mounted of test specimen in order to clasp-mount the UB.

SPECIFICATIONS

| TYPE | UB-2 | UB-5 | UB-5A |
|--|---------------------------------------|------------|---------------------------------------|
| Capacity | 2 (2~4) mm | 5 (2~7) mm | 5 (3~8) mm |
| Rated Output | 2.5mV/V(5000×10 ⁻⁶ strain) | | 2.5mV/V(5000×10 ⁻⁶ strain) |
| Sensitivity(x10 ⁻⁶ strain)/mm | 2500 | 1000 | 1000 |
| Non-linearity | 1%RO | | 1%RO |
| Allowable temperature range | 0 ~ +40°C | | 0 ~ +40°C |
| Input/Output resistance | 350Ω | | 350Ω |
| Recommended exciting voltage | Less than 2V | | Less than 2V |
| Allowable exciting voltage | 10V | | 10V |
| Weight | 39g | 42g | 42g |

Input/Output cable : ϕ 3mm 0.09mm² 4-core vinyl cable 2m

