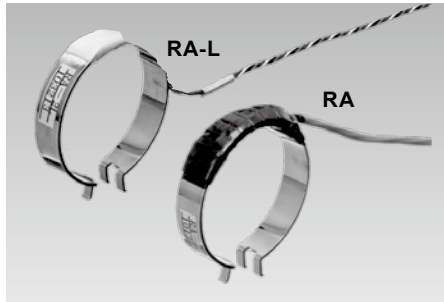


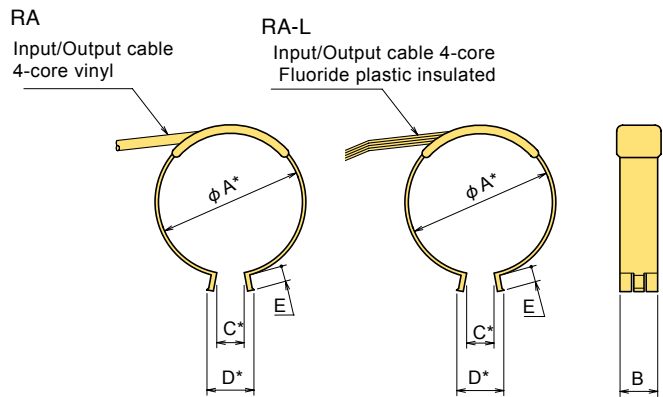
# DISPLACEMENT TRANSDUCERS

## RA/RA-L Clip-shape Displacement Transducer 2/5mm



Clip-on type

The RA Clip-shape Displacement Transducer is designed to measure crack opening displacement(COD) in metal.  
The RA-L Cryogenic Clip-shape Displacement Transducer is designed to measure crack opening displacement(COD) in metal under low-temperature conditions.



\* : Approximate value

### SPECIFICATIONS

TYPE	RA-2 / RA-2L	RA-5 / RA-5L
Capacity	2 (2~4) mm	5 (2~7) mm
Rated Output	1mV/V(2000×10 <sup>-6</sup> strain)	1.5mV/V(3000×10 <sup>-6</sup> strain)
Sensitivity(x10 <sup>-6</sup> strain)/mm	1000	600
Non-linearity	1%RO	
Allowable temperature range	RA-2/RA-5 : 0 ~ +40°C RA-2L/RA-5L : -196 ~ +40°C	
Input/Output resistance	350Ω	
Recommended exciting voltage	Less than 2V	
Allowable exciting voltage	10V	
Weight	RA-2 : 31g RA-2L : 22g	RA-5 : 35g RA-5L : 28g

Input/Output cable : RA-2/RA-5 :  $\phi$ 3mm 0.09mm<sup>2</sup> 4-core vinyl cable 2m  
RA-2L/RA-5L : 0.08mm<sup>2</sup> 4-core Fluoride plastic insulated cable 2m

### Dimensions

TYPE	$\phi A$	B	C	D	E
RA-2 / RA-2L	40	10	8	13	5
RA-5 / RA-5L	50	12	14	19	10

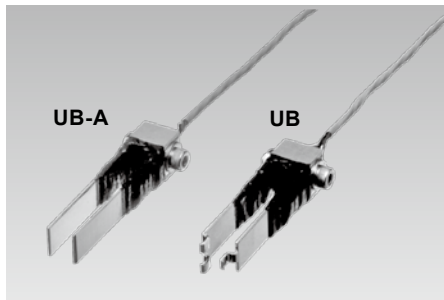
### Accessory

#### Fixing Jig RAF-11

The RAF-11 is pre-mounted of test specimen in order to clasp-mount the RA and RA-L.

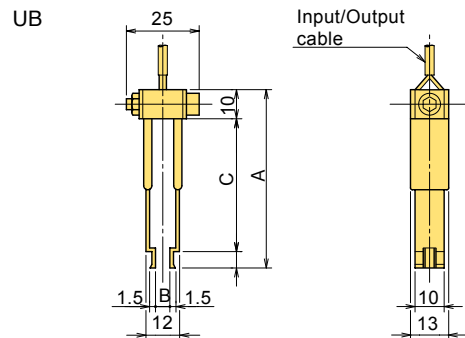
NB: Calibration of RA-L for cryogenic use is available only at room temperature

## UB / UB-A Clip-shape Displacement Transducer 2/5mm



Clip-on type

The UB and UB-5A Clip-shape Displacement Transducers are designed to measure crack opening displacement(COD) in metal. The UB-5A has a shape of the tip conforms to ASTM specifications.



### Dimensions

TYPE	A	B	C
UB-2	40	2	26
UB-5	60	5	46

### Accessory

#### Fixing Jig RAF-11

The RAF-11 is pre-mounted of test specimen in order to clasp-mount the UB.

### SPECIFICATIONS

TYPE	UB-2	UB-5	UB-5A
Capacity	2 (2~4) mm	5 (2~7) mm	5 (3~8) mm
Rated Output	2.5mV/V(5000×10 <sup>-6</sup> strain)		2.5mV/V(5000×10 <sup>-6</sup> strain)
Sensitivity(x10 <sup>-6</sup> strain)/mm	2500	1000	1000
Non-linearity	1%RO		1%RO
Allowable temperature range	0 ~ +40°C		0 ~ +40°C
Input/Output resistance	350Ω		350Ω
Recommended exciting voltage	Less than 2V		Less than 2V
Allowable exciting voltage	10V		10V
Weight	39g	42g	42g

Input/Output cable :  $\phi$ 3mm 0.09mm<sup>2</sup> 4-core vinyl cable 2m

