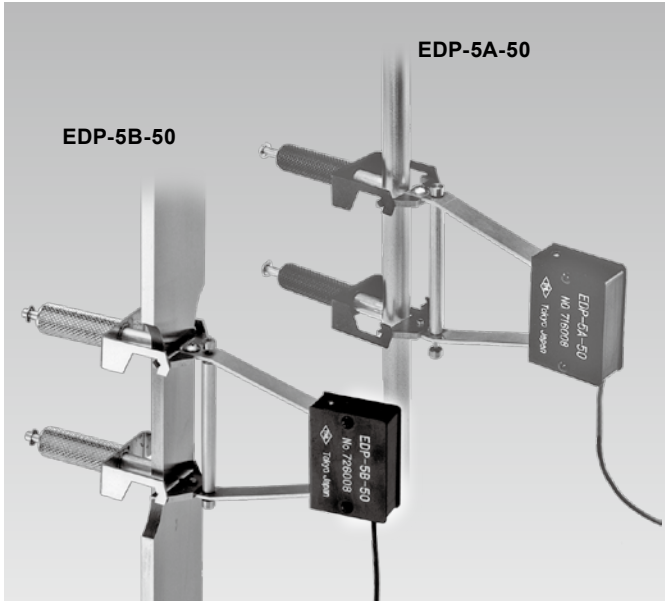


DISPLACEMENT TRANSDUCERS

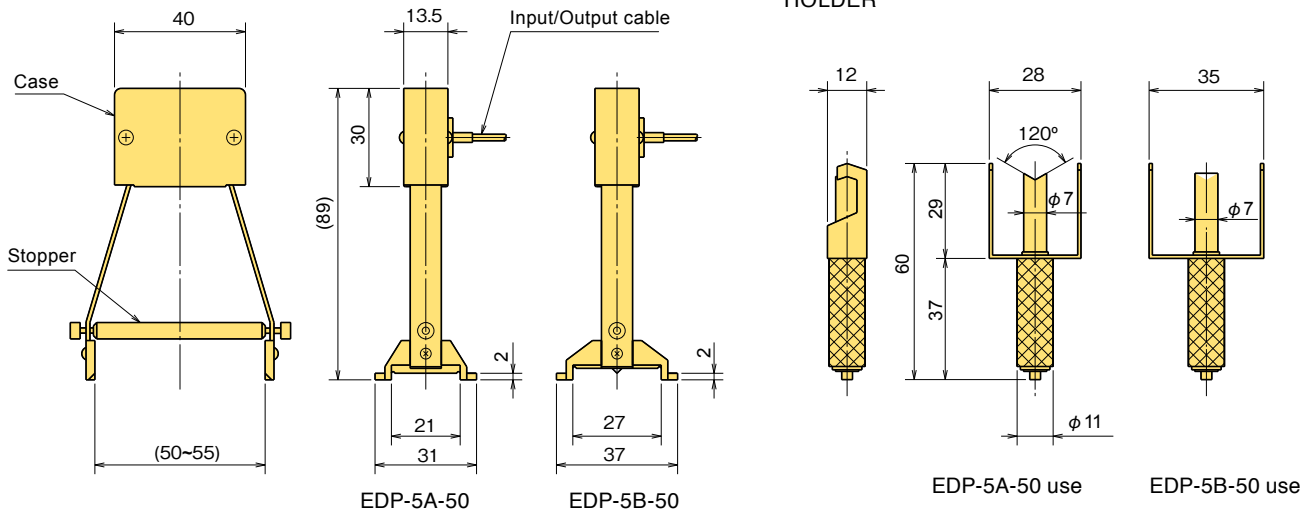
EDP-A / EDP-B Displacement Transducer 5mm



The EDP series Displacement Transducer is designed to measure elongation in round metal rod and sheet metal test specimen. It has a special holder that simply and securely holds it in place, and it detects elongation in test specimen based on displacement between two knife edges. This series uses a strain gauge for the sensing element and can be connected to an ordinary strainmeter for high precision measurements.

Protection ratings: IP20 equivalent

For materials tension test



■ SPECIFICATIONS

TYPE	EDP-5A-50	EDP-5B-50
Gauge length	50mm	
Capacity	5mm	
Applicable test specimen	Round bar ϕ 8~20mm	Plate 5~17mm thickness 10~25mm width
Rated Output	3mV/V(6000 \times 10 ⁻⁶ strain)	
Sensitivity	1200 \times 10 ⁻⁶ strain/mm	
Non-linearity	0.3%RO	
Allowable temperature range	0 ~ +40°C	
Input/Output resistance	350 Ω	
Recommended exciting voltage	Less than 2V	
Allowable exciting voltage	10V	
Weight	Extensometer: 30g	Holder (a pair) : 40g

Input/Output cable : ϕ 2.2mm 0.05mm² 4-core shielded vinyl cable 2m