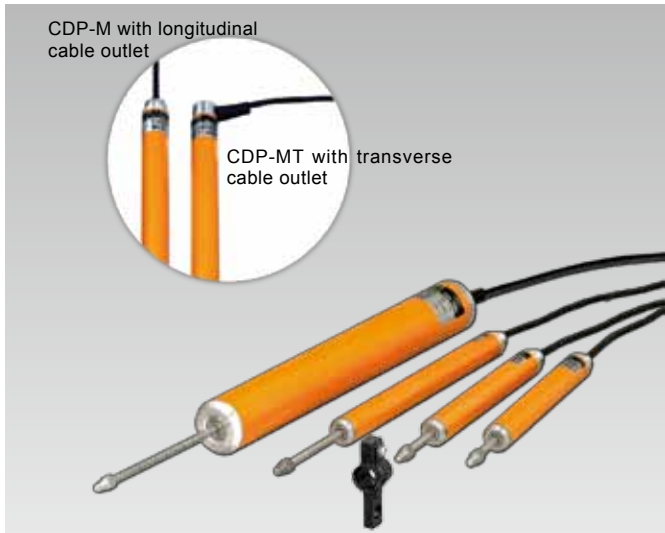


DISPLACEMENT TRANSDUCERS

CDP-M Small Displacement Transducer 5~100mm

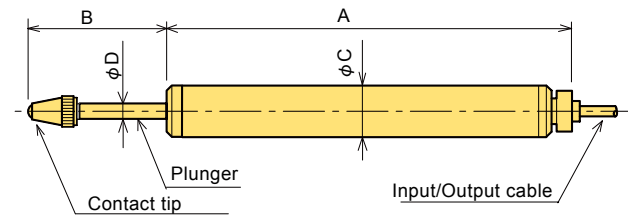


The CDP-M series is a small and high sensitivity displacement transducer. Compared with conventional CDP series, its output is the same but the CDP-M is smaller by 50~80% in diameter and its temperature range extended up to +80°C. This series is available with CDP-M with cable output along the measurement axis and CDP-MT with cable output vertical to the axis. The transducer can be used for not only static measurements but quasi-dynamic measurements. A fixing holder is supplied as a standard accessory. Options include ordinary magnet stand MB-B and small MB-PSL specified for the CDP-M series and various contact tips.

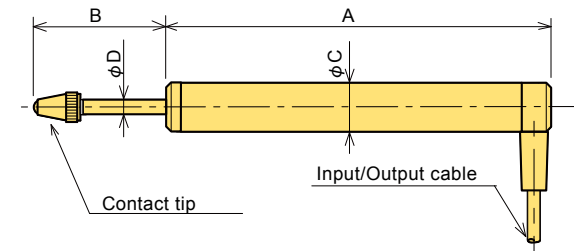
Protection ratings: IP40 equivalent

Small size

CDP-M



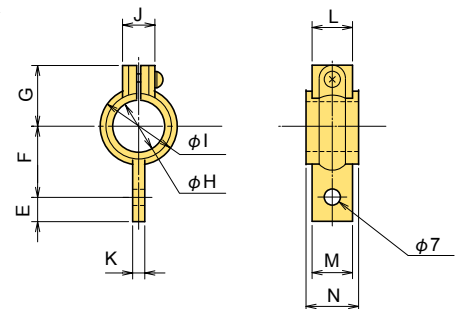
CDP-MT



■ Dimensions

TYPE	A	B	φC	φD	Holder
CDP-5M /-5MT	79	21.5	10	3	CDPF-12-25
CDP-10M /-10MT	79	27			
CDP-25M /-25MT	114.5	41.5	20	5	CDPF-11-25
CDP-50M /-50MT	158	68			
CDP-100M /-100MT	270	115.5	33	5	CDPF-11-50

HOLDER



■ Dimensions HOLDER

TYPE	E	F	G	φH	φI	J	K	L	M	N
CDPF-12-25	7	17.5	16.5	10.4	15	19	5	10	10	15
CDPF-11-25	10	28	25	20.5	30	13	5	15	15	20
CDPF-11-50	10	35	32	33.5	43	13	5	15	15	20

■ SPECIFICATIONS

TYPE	CDP-5M CDP-5MT	CDP-10M CDP-10MT	CDP-25M CDP-25MT	CDP-50M CDP-50MT	CDP-100M CDP-100MT
Capacity	5mm	10mm	25mm	50mm	100mm
Rated Output	5mV/V(10000×10 ⁻⁶ strain) ±0.3%	5mV/V(10000×10 ⁻⁶ strain) ±0.3%	6.25mV/V(12500×10 ⁻⁶ strain) ±0.3%	5mV/V (10000×10 ⁻⁶ strain) ±0.3%	
Sensitivity(x10 ⁻⁶ strain)/mm	2000	1000	500	200	100
Non-linearity	0.3%RO				
Spring force	2N	1.3N	1.5N	1.2N	5N
Frequency response	13Hz	6.5Hz	7Hz	10Hz	9.5Hz
Temperature effect on zero	0.05%RO/°C				
Compensated temperature range	0 ~ +40°C (no condensation)				
Allowable temperature range	-10 ~ +80°C (no condensation)				
Input/Output resistance	350Ω				
Recommended exciting voltage	Less than 2V				
Allowable exciting voltage	10V				
Holders supplied	CDPF-12-25 1 piece			CDPF-11-25 2 pieces	CDPF-11-50 2 pieces
Weight	29g	29g	47g	125g	347g

Supplied cable : CT6-4V10/NJ-STB (φ6mm 0.3mm² 4-core shielded vinyl cable 10m)