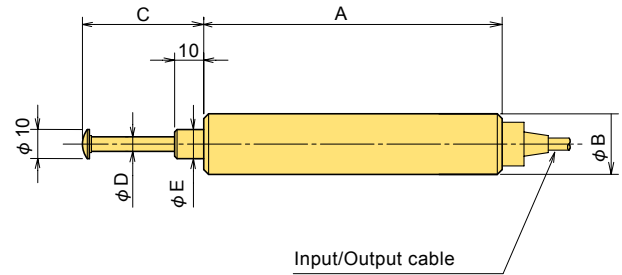


DISPLACEMENT TRANSDUCERS

CDP Displacement Transducer

5~100mm



■ Dimensions

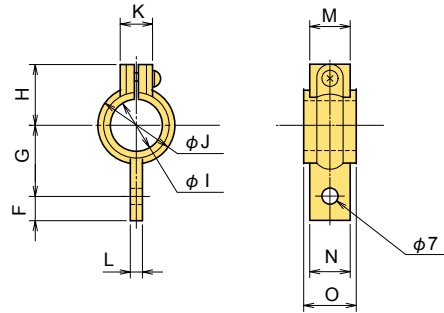
TYPE	A	B	φC	φD	φE
CDP-5	99	20.5	20	5	10
CDP-10	99	20.5	24	5	10
CDP-25	114	205	40	5	10
CDP-50	154	33.5	65	5	10
CDP-100	274	41	118	6	12

The CDP displacement transducer is a compact, easy-to-operate strain transducer. Because it is designed to produce a large output and to deliver stable performance, highly accurate measurements can be made. It is suitable for both static and dynamic measurements.

Protection ratings: IP40 equivalent

High precision

HOLDER



■ Dimensions HOLDER

TYPE	Applicable CDP	F	G	H	φI	φJ	K	L	M	N	O
CDPF-11-25	CDP-5~25	10	28	25	20.5	30	13	5	15	15	20
CDPF-11-50	CDP-50	10	35	32	33.5	43	13	5	15	15	20
CDPF-11-100	CDP-100	11	36	40	41	50	17.5	8	14	16	25

■ SPECIFICATIONS

TYPE	CDP-5	CDP-10	CDP-25	CDP-50	CDP-100
Capacity	5mm	10mm	25mm	50mm	100mm
Rated Output	5mV/V(10000×10 ⁻⁶ strain) ±0.15%	5mV/V(10000×10 ⁻⁶ strain) ±0.1%	6.25mV/V(12500×10 ⁻⁶ strain) ±0.1%	5mV/V (10000×10 ⁻⁶ strain) ±0.1%	
Sensitivity(x10 ⁻⁶ strain)/mm	2000	1000	500	200	100
Non-linearity	0.15%RO	0.1%RO			
Spring force	6.4N	3.4N			4.9N
Frequency response	40Hz	12Hz	8Hz	6Hz	3Hz
Temperature effect on zero	0.01%RO/°C		0.008%RO/°C	0.01%RO/°C	
Compensated temperature range	0 ~ +40°C (no condensation)				
Allowable temperature range	-10 ~ +60°C (no condensation)				
Input/Output resistance	350Ω				
Recommended exciting voltage	Less than 2V				
Allowable exciting voltage	10V				
Holders supplied	CDPF-11-25 1 piece			CDPF-11-50 2 pieces	CDPF-11-100 2 pieces
Weight	90g	90g	100g	270g	580g

Supplied cable : CT6-4V10/NJ-STB (φ 6mm 0.3mm² 4-core shielded vinyl cable 10m)