

HCD Series – Hermetically Sealed DC LVDT



- Hermetically sealed, all welded
- Stainless steel housing
- High level ± 10 VDC output
- Stroke ranges from ± 0.05 to ± 10 inches
- Shock and vibration tolerant
- MS style connector
- IEC IP68 rating to 1,000 PSI [70 bars]
- Captive core option

DESCRIPTION

The **HCD Series** hermetically sealed DC operated LVDTs are the perfect choice for high performance measurements in environments containing moisture, dirt, and fluid contaminants. Operating on a nominal ± 15 VDC supply, these heavy-duty LVDTs deliver an extremely linear, low noise, yet high frequency response ± 10 VDC output.

The integral electrical connector (welded, glass-sealed MS type) provides for easy installation and allows replacing a damaged cable without sacrificing the sensor.

The HCD is available in stroke ranges of ± 0.05 inch [± 1.27 mm] up to ± 10 inches [± 254 mm], and with a number of standard options including imperial or metric threaded core, guided core and captive core.

Like in most of our LVDTs, the HCD windings are vacuum impregnated with a specially formulated, high temperature, flexible resin, and the coil assembly is potted inside its housing with a two-component epoxy. This provides excellent protection against hostile environments such as high vibration and shock.

Captive core option: The HCD features an optional captive core design (available for most models) that greatly simplifies installation. The core rod and bearing assembly includes a Bronze bearing on the front end for self-alignment, while a PTFE sleeve allows low-friction travel through the stainless steel boreliner (spool tube). The core rod and the bearing assembly are both field serviceable.

Also see our other LVDT models with built-in signal conditioning: **DC-EC** (\pm DC voltage), **DC-SE** (single-ended DC voltage), **HC-485** (RS485 Digital Series) and the **HCT** (4-20mA, 2-wire loop).

Measurement Specialties, Inc. (NASDAQ MEAS) offers many other types of sensors and signal conditioners. Data sheets can be downloaded from our web site at: <http://www.meas-spec.com/datasheets.aspx>

*Measurement Specialties acquired Schaevitz Sensors and the **Schaevitz™** trademark in 2000.*

FEATURES

- All-welded stainless steel construction
- Shock and vibration tolerant
- Low noise, ± 10 VDC output
- Double magnetic shielding
- MS type connector (MIL-C-5015)
- Calibration certificate supplied with each unit

APPLICATIONS

- Harsh industrial environments
- Pressurized installations up to 1,000 psi
- Paper processing mills
- Roller gap position feedback
- Automated test systems
- X-Y Positional Feedback

HCD Series – Hermetically Sealed DC LVDT

PERFORMANCE SPECIFICATIONS

ELECTRICAL SPECIFICATIONS									
Parameter	HCD 050	HCD 125	HCD 250	HCD 500	HCD 1000	HCD 2000	HCD 3000	HCD 5000	HCD 10000
Stroke range	±0.050 [±1.27]	±0.125 [±3.17]	±0.25 [±6.85]	±0.5 [±12.7]	±1 [±25.4]	±2 [±50.8]	±3 [±76.2]	±5 [±127]	±10 [±254]
Sensitivity, VDC/inch	200	80	40	20	10	5	3.3	2.0	1.0
Sensitivity, VDC/mm	7.87	3.15	1.575	0.787	0.394	0.197	0.130	0.079	0.0394
Frequency response Hertz @ -3db	500	500	500	200	200	200	200	200	200
Input voltage	+/-15VDC								
Input current	±25mA								
Output @ stroke ends	+/-10VDC (Output is positive when the core is displaced from null towards the connector)								
Non-linearity	±0.25% of FR, maximum								
Output ripple	25mVRMS, maximum								
Stability	0.125% of FSO								
Output impedance	1 Ohm								

ENVIRONMENTAL SPECIFICATIONS & MATERIALS	
Operating temperature	+32°F to +160°F [0°C to +70°C]
Survival temperature	-65°F to +200°F [-55°C to +95°C]
Shock survival	250 g (11ms half-sine)
Vibration tolerance	10 g up to 2kHz
Housing material	AISI 400 Series stainless steel
Electrical connector	6-pin MS type connector (MIL-C-5015)
NEMA IEC 60529 rating	IP68 to 1,000 PSI [70 bars] with use of proper mating connector plug

Notes:

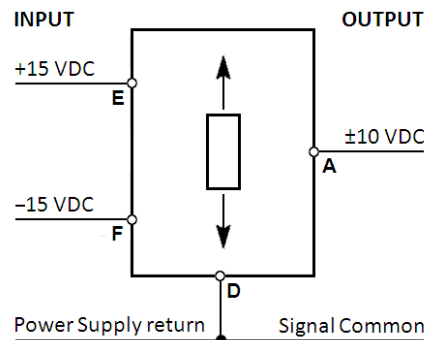
All values are nominal unless otherwise noted

Dimensions are in inch [mm] unless otherwise noted

FR: Full Range is the stroke range, end to end; FR=2xS for ±S stroke range

FSO (Full Scale Output): Largest absolute value of the outputs measured at the ends of the range

WIRING INFORMATION

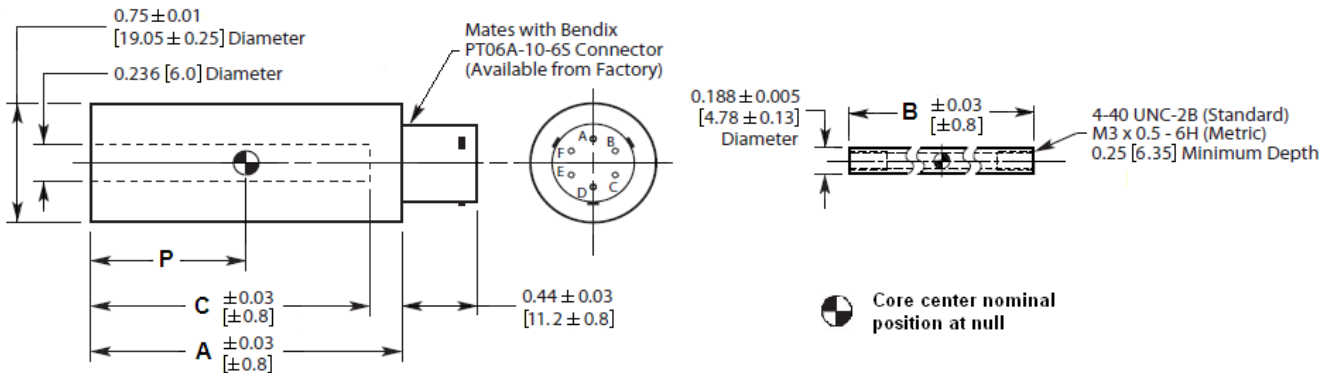


A through F: Connector pin assignments

HCD Series – Hermetically Sealed DC LVDT

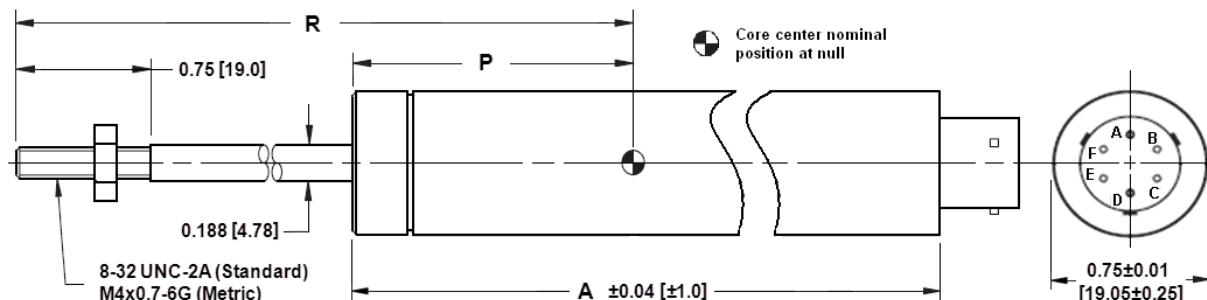
MECHANICAL SPECIFICATIONS – NON CAPTIVE CORE (STANDARD)

	HCD 050	HCD 125	HCD 250	HCD 500	HCD 1000	HCD 2000	HCD 3000	HCD 5000	HCD 10000
Main body length "A"	2.40 [61.0]	3.23 [82.0]	4.10 [104.1]	5.79 [147.1]	8.05 [204.5]	11.42 [290.1]	16.62 [422.1]	20.45 [519.4]	34.57 [878.1]
Core length "B"	0.75 [19.1]	1.25 [31.8]	2.0 [50.8]	3.0 [76.2]	3.8 [96.5]	5.3 [134.6]	6.2 [157.5]	6.2 [157.5]	12.0 [304.8]
Bore depth "C"	1.90 [48.3]	2.73 [69.3]	3.60 [91.4]	5.29 [134.4]	7.55 [191.8]	10.92 [277.4]	16.10 [408.9]	19.95 [506.7]	34.03 [864.4]
Core center at null "P"	0.55 [14.0]	0.96 [24.4]	1.39 [35.3]	2.23 [56.6]	3.18 [80.8]	4.91 [124.7]	7.59 [192.8]	9.56 [242.8]	16.61 [421.9]
Weight, body oz [gram]	1.41 [40]	1.77 [50]	2.19 [62]	2.93 [83]	4.24 [120]	6.14 [174]	8.33 [236]	10.38 [294]	18.57 [526]
Weight, core oz [gram]	0.07 [2]	0.11 [3]	0.18 [5]	0.28 [8]	0.35 [10]	0.53 [15]	0.64 [18]	0.64 [18]	0.85 [24]



MECHANICAL SPECIFICATIONS – CAPTIVE CORE OPTION

	HCD 050	HCD 125	HCD 250	HCD 500	HCD 1000	HCD 2000	HCD 3000
Main body length "A"	2.74 [69.6]	3.57 [90.7]	4.44 [112.8]	6.13 [155.7]	8.39 [213.1]	11.76 [298.7]	16.96 [430.8]
Core center at null "P"	0.89 [22.6]	1.30 [33.0]	1.73 [43.9]	2.57 [65.3]	3.52 [89.4]	5.25 [133.4]	7.93 [201.4]
Core rod position at null "R"	3.78 [96.0]	4.36 [110.7]	4.85 [123.2]	6.04 [153.4]	7.90 [200.7]	10.52 [267.2]	15.27 [387.9]
Weight, oz [gram]	2.19 [62]	2.65 [75]	3.14 [89]	4.06 [115]	5.61 [159]	7.87 [223]	10.63 [301]



Dimensions are in inch [mm]

HCD Series – Hermetically Sealed DC LVDT

ORDERING INFORMATION

Description	Model	Part Number	Description	Model	Part Number
±0.050 inch LVDT	HCD 050	02560440-000	±2 inch LVDT	HCD 2000	02560445-000
±0.125 inch LVDT	HCD 125	02560441-000	±3 inch LVDT	HCD 3000	02560446-000
±0.25 inch LVDT	HCD 250	02560442-000	±5 inch LVDT	HCD 5000	02560447-000
±0.5 inch LVDT	HCD 500	02560443-000	±10 inch LVDT	HCD 10000	02560448-000
±1 inch LVDT	HCD 1000	02560444-000			

OPTIONS

Option Description	Model	Part Number
Metric threaded core (Non-captive) or connecting rod (Captive core)	All	XXXXXXXX-006
Guided core	Available on	XXXXXXXX-010
Small-diameter/low-mass core (<i>consult factory for mass & dimensions</i>)	non-captive core models only	XXXXXXXX-020
Captive core	HCD 050 thru 3000 only	XXXXXXXX-200

Note: Add multiple option dash numbers together to determine proper ordering suffix

Example: HCD 1000, ±1 inch, with captive core and metric threaded connecting rod, P/N 02560444-206

ACCESSORIES

Accessory Description	Model	Part Number
Dual rail DC power supply (±15VDC)	Model PSD 40-15	02291339-000
Core connecting rod, 6 inches long, 4-40 threads		05282946-006
Core connecting rod, 12 inches long, 4-40 threads		05282946-012
Core connecting rod, 24 inches long, 4-40 threads		05282946-024
Core connecting rod, 36 inches long, 4-40 threads		05282946-036
Core connecting rod, 6 inches long, M3x0.5 metric threads		05282977-006
Core connecting rod, 12 inches long, M3x0.5 metric threads		05282977-012
Mounting block		04560950-000
Mating connector kit	PT06A-10-6S(SR)	62101011-000
Cable with wired mating connector	HCD to Stripped/Tinned	04290583-000

(1) Cables are shielded, 10 foot long, and rated 80°C [176°F] operating. Consult factory for other lengths.

Refer to our "[Accessories for LVDTs](#)" data sheet for our LVDT signal conditioning instrumentation and other accessories.

TECHNICAL CONTACT INFORMATION

NORTH AMERICA	EUROPE	ASIA
Measurement Specialties, Inc. 1000 Lucas Way Hampton, VA 23666 United States Phone: +1-800-745-8008 Fax: +1-757-766-4297 Email: sales@meas-spec.com Web: www.meas-spec.com	MEAS Deutschland GmbH Hauert 13 D-44227 Dortmund Germany Phone: +49-(0)231-9740-0 Fax: +49-(0)231-9740-20 Email: info.de@meas-spec.com Web: www.meas-spec.com	Measurement Specialties China Ltd. No. 26, Langshan Road High-tech Park (North) Nanshan District, Shenzhen 518057 China Phone: +86-755-33305088 Fax: +86-755-33305099 Email: info.cn@meas-spec.com Web: www.meas-spec.com

The information in this sheet has been carefully reviewed and is believed to be accurate; however, no responsibility is assumed for inaccuracies. Furthermore, this information does not convey to the purchaser of such devices any license under the patent rights to the manufacturer. Measurement Specialties, Inc. reserves the right to make changes without further notice to any product herein. Measurement Specialties, Inc. makes no warranty, representation or guarantee regarding the suitability of its product for any particular purpose, nor does Measurement Specialties, Inc. assume any liability arising out of the application or use of any product or circuit and specifically disclaims any and all liability, including without limitation consequential or incidental damages. Typical parameters can and do vary in different applications. All operating parameters must be validated for each customer application by customer's technical experts. Measurement Specialties, Inc. does not convey any license under its patent rights nor the rights of others.