

MINIATURE LINEAR DISPLACEMENT POTENTIOMETERS

12 to 150 mm
(0.5 to 6") Ranges

LP804 Series

- ✓ Rugged, Vibration Resistant
- ✓ Unique Conductive Film for Excellent Resolution



LP804-02, shown actual size.

LP804-01, shown actual size.

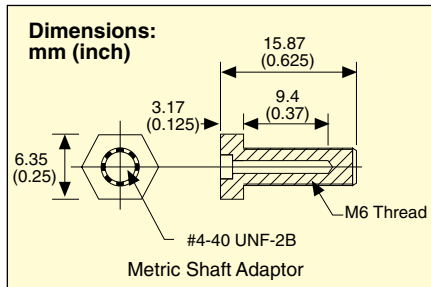
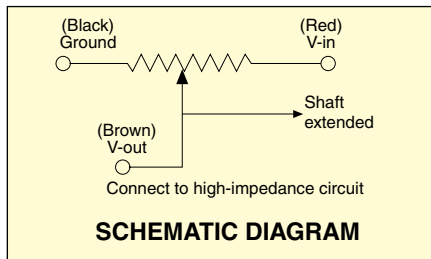
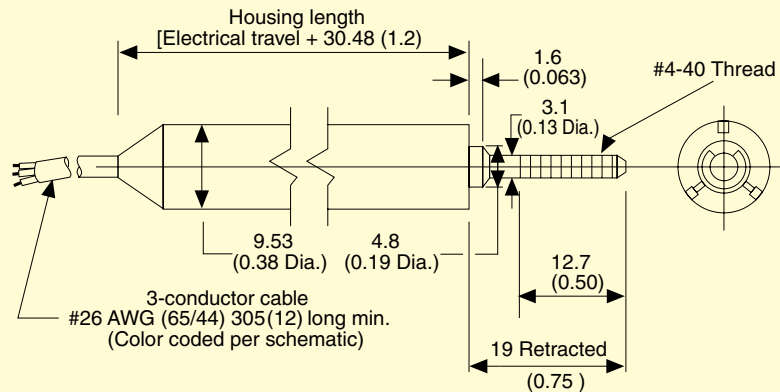


DP41-E meter, shown smaller than actual size. Visit omega.com/dp41

SPECIFICATIONS

Resistance: 1500 Ω /in $\pm 20\%$
Power Rating: 0.20 W/in
Linearity: 1% FS
Repeatability: 0.0127 mm (0.0005")
Resolution: 0.00127 mm (0.00005")
Operating Temperature: -40 to 80°C (-40 to 176°F)
Wiper Current: < 1 μ A
Starting Force: 28 g (1 oz) max
Mechanical Travel: Range + 1.27 mm (0.05") minimum
Life: 1 billion operations @ 300 mm (12")/s 1.8 m (70")/s max, decreases life
Construction: Anodized cast aluminum (shaft, stainless steel)

Dimensions: mm (inch)



To Order Visit omega.com/lp804 for Pricing and Details

MODEL NO.	RANGE mm (inch)	WEIGHT g (oz)	COMPATIBLE METER
LP804-1/2	12 (0.5)	11 (0.4)	DP41-E
LP804-01	25 (1)	14 (0.5)	DP41-E
LP804-02	51 (2)	20 (0.7)	DP41-E
LP804-03	76 (3)	23 (0.8)	DP41-E
LP804-04	102 (4)	28 (1.0)	DP41-E
LP804-05	127 (5)	31 (1.1)	DP41-E
LP804-06	152 (6)	31 (1.1)	DP41-E

ACCESSORIES

MODEL NO.	DESCRIPTION
LP803-AD	Metric adaptor, 4-40 female/M6 male
TX4-100	30 m (100'), 4-conductor shielded wire

Ordering Example: LP804-1/2, miniature potentiometer with a range of 12 mm (0.5").