

# COMPACT LINEAR DISPLACEMENT POTENTIOMETERS

25 to 250 mm  
(1 to 10") Ranges

LP803-04,  
shown actual size.

## LP803 Series

LP803-02,  
shown actual size.

LP803-01,  
shown actual size.

- ✓ Rugged
- ✓ Vibration Resistant

### SPECIFICATIONS

**Resistance:**  
1000 Ω/in ±20%

**Power Rating:** 0.25 W/in

**Linearity:** 1% FS

**Repeatability:** 0.0127 mm (0.0005")

**Resolution:** 0.00127 mm (0.00005")

**Operating Temperature:**  
-40 to 80°C (-40 to 176°F)

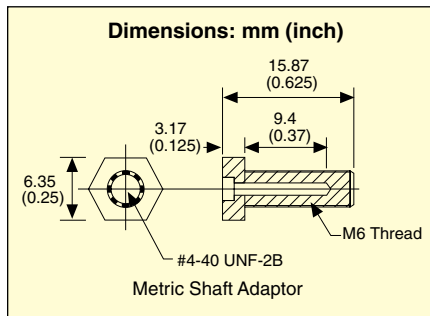
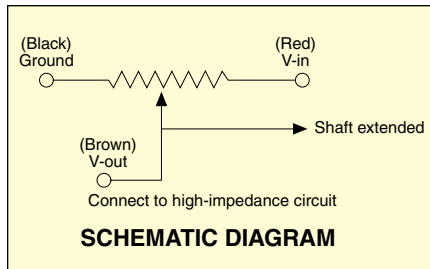
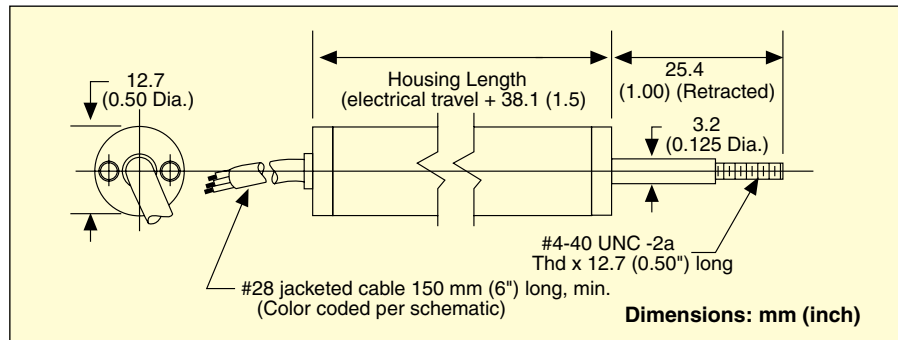
**Wiper Current:** <1 μA

**Starting Force:** 28 g (1 oz) max

**Mechanical Travel:** Range + 1.27 mm (0.05") minimum

**Life:** 1 billion operations @ 300 mm (12")/s 1.8 m (70")/s max, decreases life

**Construction:** Anodized cast aluminum (shaft, stainless steel)



### To Order Visit [omega.com/lp803](http://omega.com/lp803) for Pricing and Details

MODEL NO.	RANGE mm (inch)	WEIGHT g (oz)	COMPATIBLE METER
LP803-01	25 (1)	20 (0.7)	DP41-E
LP803-02	51 (2)	26 (0.9)	DP41-E
LP803-03	76 (3)	31 (1.1)	DP41-E
LP803-04	102 (4)	43 (1.5)	DP41-E
LP803-05	127 (5)	45 (1.6)	DP41-E
LP803-06	152 (6)	48 (1.7)	DP41-E
LP803-07	178 (7)	51 (1.8)	DP41-E
LP803-08	203 (8)	57 (2.0)	DP41-E
LP803-10	254 (10)	68 (2.4)	DP41-E

### ACCESSORIES

MODEL NO.	DESCRIPTION
LP803-AD	Metric adaptor, 4-40 female/M6 male
TX4-100	30 m (100'), 4-conductor shielded wire

Comes complete with operator's manual.

Ordering Example: LP803-06, potentiometer with 150 mm (6") range.