



Providing the Ultimate Solutions in Precision  
Displacement Sensors

[Order](#) • [Site Map](#)

 Search

[Home](#) | [All Products](#) | [Support](#) | [Special Offers](#) | [Contact Us](#)

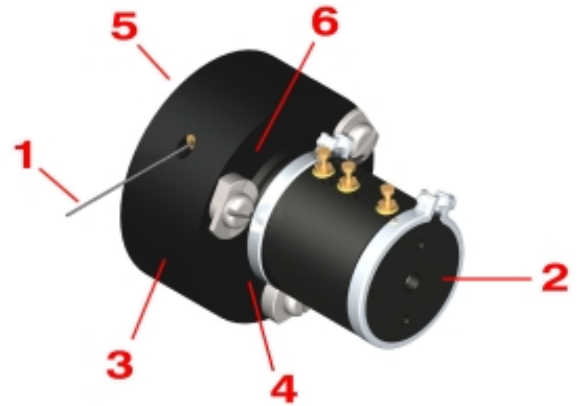
Home

## Data Sheet - Model 180-0803 Analog-Output Subminiature Position Transducer with Extended Range

### Analog-Output Subminiature Position Transducer with Extended Range

#### Key Features

- 10.0-inch (254-mm) Maximum Travel
- Analog Signal Using Precision Hybrid Potentiometer
- AccuTrak™ Threaded Drum for Enhanced Repeatability
- Bearing-Mounted Rotating Components
- Optional Flexible Mounting Base
- DirectConnect™ Sensor-To-Drum Technology = Zero Backlash, No Torsion Springs or Clutches



#### Potentiometer Specifications

Potentiometer Type	3-turn, precision, hybrid
Resistance: Value, Tolerance	5K ohms, $\pm 5\%$
Travel: Electrical, Mechanical	1080°, 1080° +10° -0°
Mechanical Life	5 million shaft revolutions min
Output Signal	analog signal from 0 to supply voltage (voltage divider circuit)
Power Rating	1.5 W at 122° F (50° C)
Supply Current	12 mA max
Supply Voltage	35 VDC (using voltage divider circuit) max
Independent Linearity Error	$\pm 0.5\%$ max per VRCl-P-100A
Output Smoothness	0.5% max
Insulation Resistance	1000 Mohms at 500 VDC min
Dielectric Strength	1000 VDC min
Resolution	infinite signal
Operating Temperature	-67° to 257° F (-55° to +125° C)
Shock	100 g for 6 ms
Vibration	10 to 2000 Hz at 15 g per Mil-R-39023
Temperature Coefficient	$\pm 0.007\%/^{\circ}\text{C}$ max

#### Other Specifications

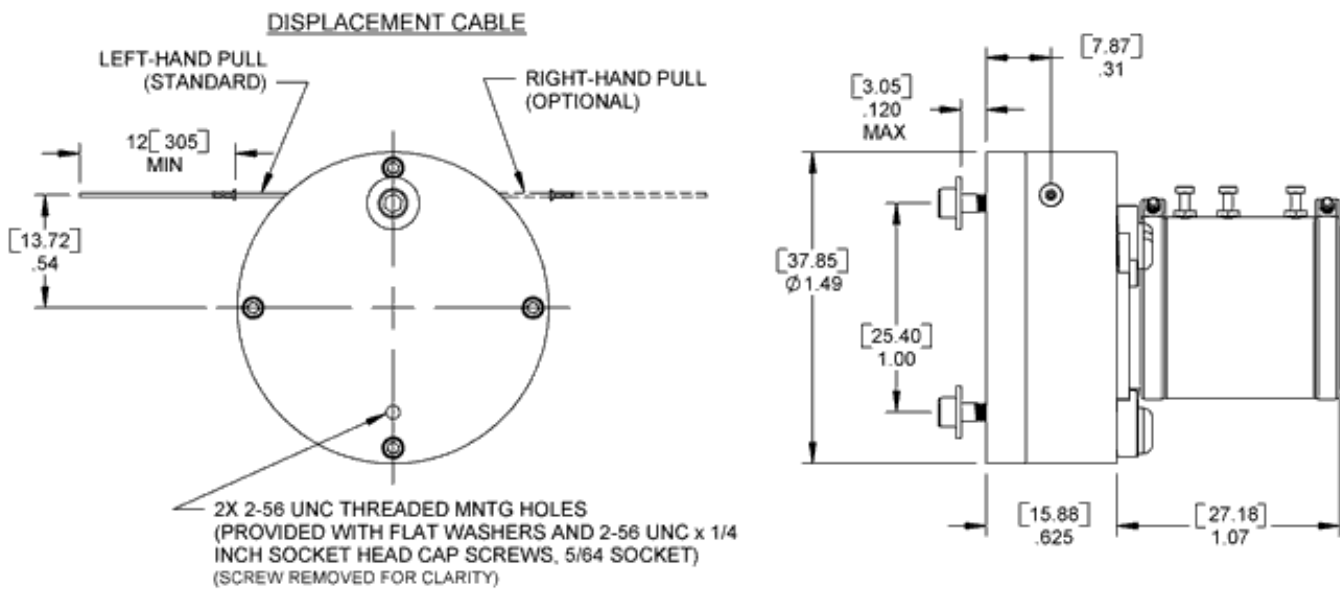
Case Materials	precision-machined anodized 2024 aluminum		
Displacement Cable	0.018-inch (0.46-mm) dia., 7-by-7 stranded stainless steel, 40-lb (177-N) min breaking strength		
Displacement Cable Hardware	1 each of <a href="#">300196 loop sleeve</a> , <a href="#">300292 copper sleeve</a> , <a href="#">300688 ball-end plug</a> , <a href="#">300495 pull ring</a> , <a href="#">160026 brass swivel</a> , and <a href="#">301003 nickel swivel</a> ; all items provided uncrimped		
Electrical Connections	Three solder terminals. Electrical cable and connectors options available.		
Nominal Mass	2 oz (57 g)		
Displacement Cable Tension and max Cable Acceleration (Nominal)	3 oz.	0.8 N	min
	14 oz.	3.9 N	max 9 g's max
Environmental Protection	NEMA 3S / IP 54, DO-160D (ED-14D) Env. Cat. E1E1ABSHXFDXSAXXXXXXXXXXX		

### Model Numbers and Ordering Codes

180-0803-ab	position transducer (10.00-inch (254-mm) range)
Example: 180-0803-LN (left-hand displacement cable pull, no base)	

Variable	Value	Description
a	L	left-hand displacement cable pull
	R	right-hand displacement cable pull
b	N	no base
	C	base: L; pn <a href="#">173015</a>

### Drawing



Electrical Connection for Increasing Output with Displacement Cable Extraction

<i>Left-Hand Pull</i> CCW S CW	<i>Right-Hand Pull</i> CW S CCW	<i>Signal</i> input, V+ output, signal, S+ ground, common, V-, S-
---	--	--

For crimping of hardware to displacement cable, consider the [160001-01 installation kit](#).

Need something not shown? Complete a [Custom Solution Request](#).

All dimensions are REFERENCE and are in inches [mm] Document number:S021L(040129)

[Firstmark Controls](#) • [info@firstmarkcontrols.com](mailto:info@firstmarkcontrols.com)

An ISO9001:2000/AS9100B-Compliant Company  
1176 Telecom Drive • Creedmoor, NC 27522 USA  
Phone: 1-919-956-4203 • Fax: 919-682-3786 • Toll Free: 1-866-912-6232

Business hours: Mon-Fri, 8:00am to 5:00pm (Eastern time)

All specifications subject to change without notice.  
© 1996-2008 Firstmark Controls All rights reserved.

[top](#)

[News](#) • [Representatives](#) • [Request Literature](#) • [CAD Models](#) • [Calculators](#)

[top](#)