

texense
world pro by TEXYS



GYRN3 – 2 or 3 Axis

Digital 2 or 3 axis gyroscope

Range
Accuracy
Sensitivity
Cut off frequency 5th order

$\pm 50, \pm 100, \pm 150$ °/s
 ± 2 % FS
40, 20, 13.3 mV/°/s
40 Hz

Supply voltage
Supply current
Output impedance
Linear analog output
Output signal at 0°/sec
Error at 0°/sec
Cross axis sensitivity

5 to 16 V
28 mA
47 Ω
0.4 to 4.6 V
2.5 V
 ± 0.5 °/s
2.5 %

Offset drift (20 to 80°C)
Gain drift (20 to 80°C)

± 0.5 °/s
 ± 1.5 %

Housing
Dimension
Weight

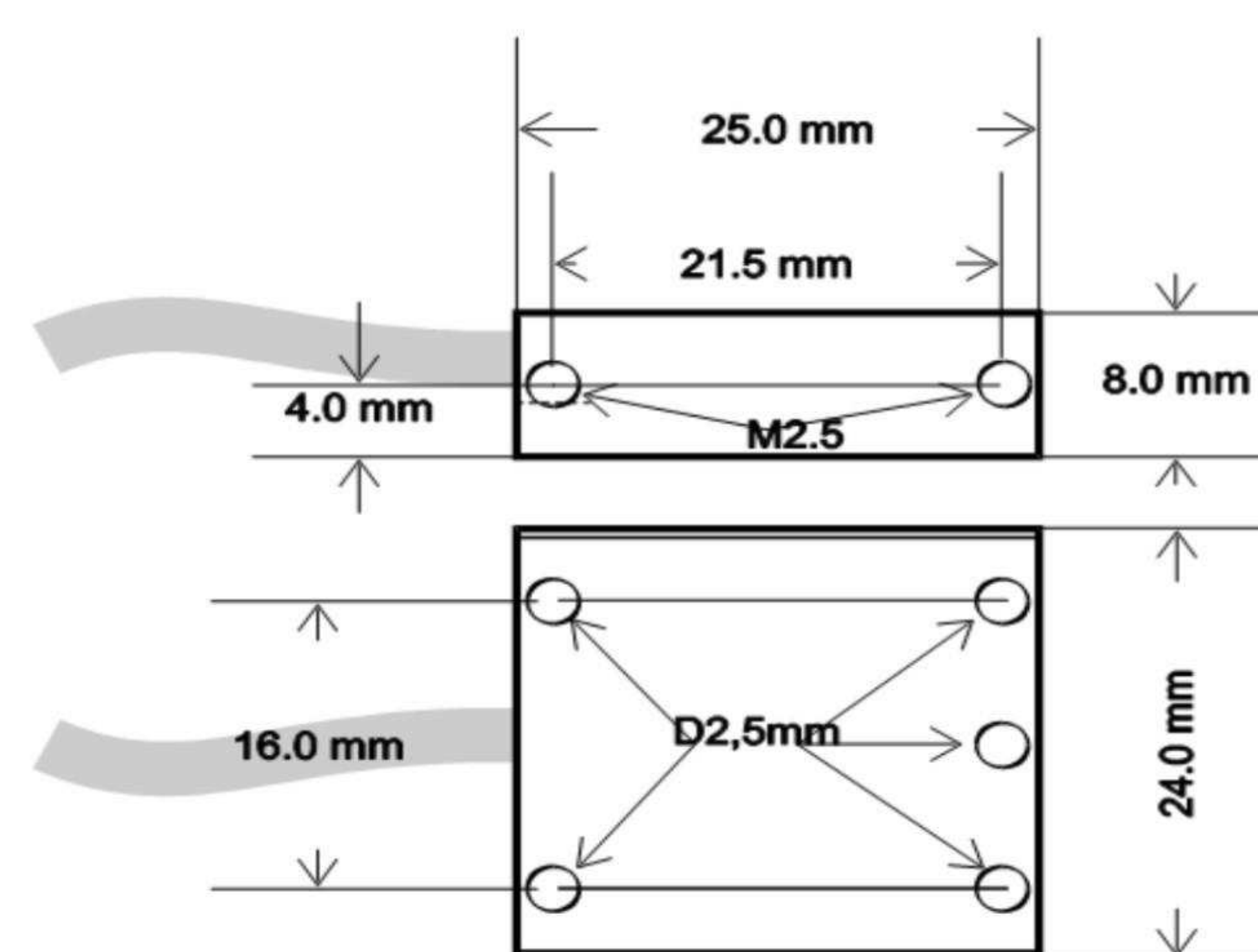
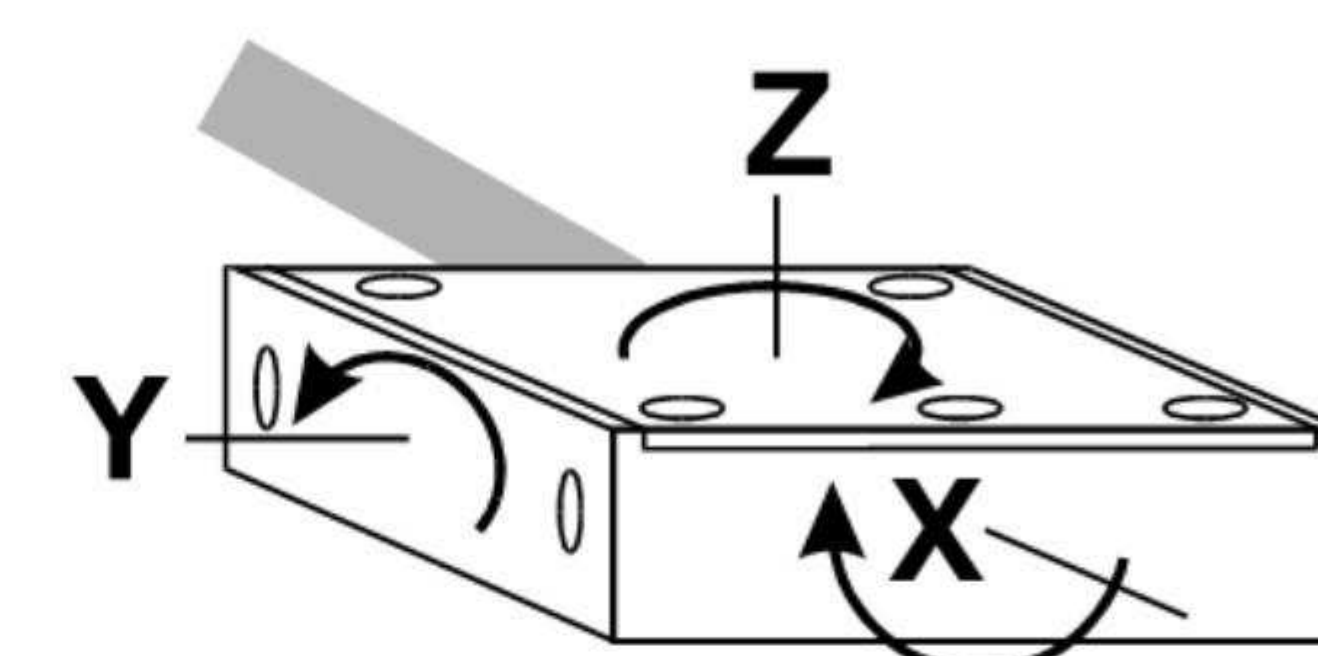
Aluminium
25x24x8 mm
30 g

Vibration test
Shock

20 Gpp 5'
1000 G

Operating temp
Storage temp

-20 to +85°C
-40 to +125°C



Calibration table			
°/s	± 50 °/s 40mV/°/s	± 100 °/s 20mV/°/s	± 150 °/s 13,3mV/°/s
-150			0.5
-100		0.5	1,17
-50	0.5	1.5	1,83
0	2.5	2.5	2.5
+50	4.5	3.5	3.17
+100		4.5	3,83
+150			4.5

Out of Range

Ordering ref ex: GYRN3-XA-YB-ZC

GYRN3-XRange-YRange-ZRange

Range			
A	B	C	N
50°/s	100°/s	150°/s	Not wired

1 m cable of 6X26AWG FEP
tinned copper braided cable 250V 200°C

Red Supply
Black 0 V
White Signal X
Green Signal Y
Yellow Signal Z
Blue Diag (not to be connected)
Braid Not connected

In the interest of continuous product improvement, we reserve the right to alter without prior notice the specifications and features described in this document