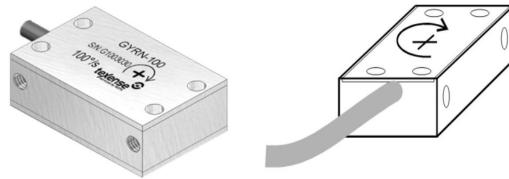




# GYRP-1 Axis

## 1 axis gyroscope



**Range**  
**Accuracy**  
**Sensitivity**  
**Cut off frequency 1<sup>st</sup> order**

$\pm 50, \pm 100, \pm 150 \text{ }^\circ/\text{s}$   
 2 %  
 40, 20, 13.3 mV/ $^\circ/\text{s}$   
 50 Hz

**Supply voltage**  
**Supply current**  
**Linear analog output**  
**Output signal  $^\circ/\text{sec}$**   
**Output impedance**

5 to 16 V  
 5 mA  
 0 – 5 V  
 $2.5 \pm 0.1 \text{ V}$   
 47  $\Omega$

**Zero drift (20 to 80°C)**  
**Gain drift (20 to 80°C)**

25 mV  
 $\pm 1 \%$

**Dimension**  
**Material**  
**Weight**  
**Protection**

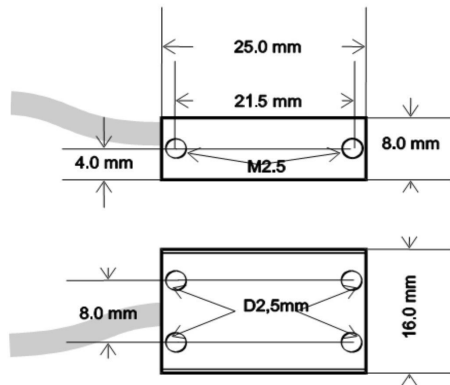
25x16x8 mm  
 Aluminium  
 15 g  
 IP66

**Vibration test**  
**Shock**

20 Gpp 5'  
 500 G

**Operating temp**  
**Storage temp**

-40 to +105°C  
 -40 to +125°C



Calibration table			
$^\circ/\text{s}$	$\pm 50^\circ/\text{s}$ 40mV/ $^\circ/\text{s}$	$\pm 100^\circ/\text{s}$ 20mV/ $^\circ/\text{s}$	$\pm 150^\circ/\text{s}$ 13,3mV/ $^\circ/\text{s}$
-150			0,5
-100		0,5	1,17
-50	0,5	1,5	1,83
0	2,5	2,5	2,5
+50	4,5	3,5	3,17
+100		4,5	3,83
+150			4,5

Out of Range

Examples of inertial units with Texense Gyros and Accelerometers



Ordering ref - ex : GYRP - 100  
 GYRP - Range  
 50( $^\circ/\text{s}$ )  
 100( $^\circ/\text{s}$ )  
 150( $^\circ/\text{s}$ )

1 m cable of 3X26AWG FEP  
 tinned copper braided cable 250V 200°C

**Red**  
**Black**  
**White**  
**Braid**

**Supply**  
 0 V  
**Signal**  
 Not connected