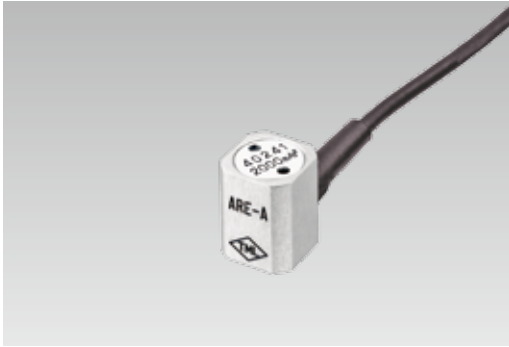
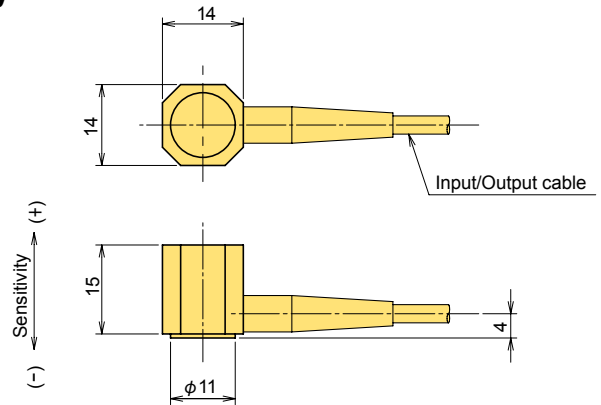


# ACCELERATION TRANSDUCERS

## ARE-A High capacity Acceleration Transducer 1000~10000m/s<sup>2</sup>



General purpose  
High capacity



The ARE-A acceleration transducer is used to measure the acceleration of structures subject to relatively strong vibration. It is small, lightweight and easy to operate.

Protection ratings: IP61 equivalent

### SPECIFICATIONS

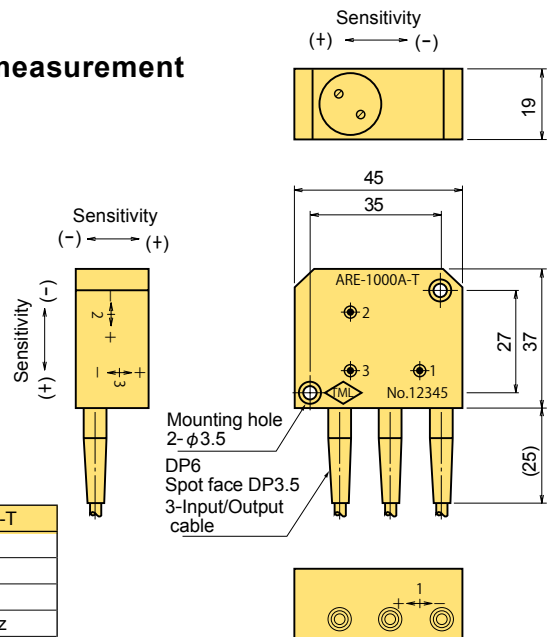
TYPE	ARE-1000A	ARE-2000A	ARE-5000A	ARE-10000A
Capacity	1000m/s <sup>2</sup>	2000m/s <sup>2</sup>	5000m/s <sup>2</sup>	10000m/s <sup>2</sup>
Rated Output	0.5mV/V(1000×10 <sup>-6</sup> strain)			
Non-linearity	1%RO			
Frequency response range	DC~1.3kHz	DC~2.1kHz	DC~2.1kHz	DC~5kHz
Natural frequency	2.2kHz	3.5kHz	4.5kHz	7.5kHz
Allowable temperature range	-10 ~ +50°C		-10 ~ +60°C	
Over load	300%			
Input/Output resistance	120Ω			
Recommended exciting voltage	Less than 2V			
Allowable exciting voltage	5V			
Weight			8g	

Input/Output cable :  
φ 3.2mm 0.08mm<sup>2</sup> 4-core shielded vinyl cable 5m  
Input/Output cable is grounded to the body.

## ARE-A-T High capacity Tri-axial Acceleration Transducer 1000~5000m/s<sup>2</sup>



General purpose  
High capacity  
Three directional measurement



The ARE-A-T acceleration transducer measures acceleration in three directions (X, Y and Z) simultaneously. It is small and lightweight and can make high-accuracy measurement with the least interference.

Protection ratings: IP61 equivalent

### SPECIFICATIONS

TYPE	ARE-1000A-T	ARE-2000A-T	ARE-5000A-T
Capacity	1000m/s <sup>2</sup>	2000m/s <sup>2</sup>	5000m/s <sup>2</sup>
Rated Output	0.5mV/V(1000×10 <sup>-6</sup> strain)		
Non-linearity	1%RO		
Frequency response range	DC~1.3kHz	DC~2.1kHz	DC~2.1kHz
Natural frequency	2.2kHz	3.5kHz	4.5kHz
Cross sensitivity	3%RO		
Allowable temperature range	-10 ~ +50°C		-10 ~ +60°C
Over load	300%		
Input/Output resistance	120Ω		
Recommended exciting voltage	Less than 2V		
Allowable exciting voltage	5V		
Weight	77g	77g	75g

Input/Output cable :  
φ 3.2mm 0.08mm<sup>2</sup> 4-core shielded vinyl cable 5m  
Input/Output cable is grounded to the body.