

# Model 7502A Accelerometer



+260°C Charge Output Accelerometer  
1.8pC/g output, 14kHz Bandwidth  
Hermetically Sealed  
Miniature, Lightweight (0.8gm)



**The Model 7502A** is a miniature piezoelectric charge mode accelerometer designed for high frequency vibration and shock measurements. The accelerometer incorporates an annular shear mode crystal that provides stable thermal response up to +260°C. The model 7502A is hermetically sealed and features a nominal charge output of 1.8pC/g. The miniature and light weight Titanium package renders the accelerometer ideal for applications requiring minimal mass loading.

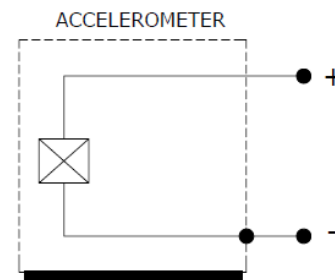
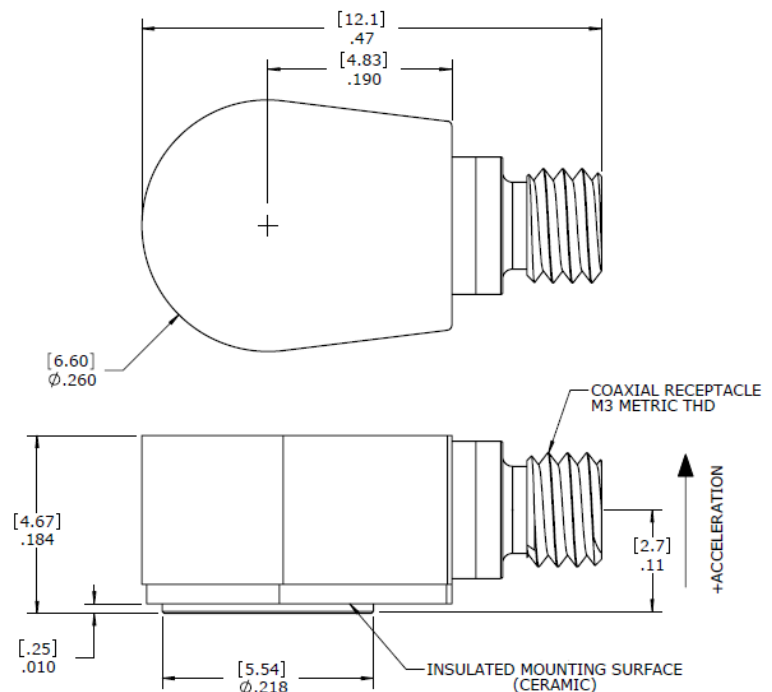
## FEATURES

- ±5000g Dynamic Range
- Wide bandwidth up to 14kHz
- -73°C to +260°C Operating Range
- Adhesive Mount
- Titanium Housing
- Annular Shear Mode
- Isolated Mounting Surface

## APPLICATIONS

- Vibration & Shock Monitoring
- High Temp Applications
- Flight Testing
- High Frequency Applications
- Small Structures Monitoring

## dimensions



# Model 7502A Accelerometer

## performance specifications

All values are typical at +24°C, 80Hz unless otherwise stated. Measurement Specialties reserves the right to update and change these specifications without notice. Standard product parameters are described in PSC-1003 for Plug & Play AC Accelerometers.

### Parameters

#### DYNAMIC

Sensitivity (pC/g)	1.8
Sensitivity (pC/g)	1.0
Frequency Response (Hz) <sup>2</sup>	1-10000
Frequency Response (Hz) <sup>2</sup>	0.1-14000
Natural Frequency (Hz)	48000
Non-Linearity (%FSO)	±1/1000g
Transverse Sensitivity (%)	<5
Dynamic Range (g) <sup>1</sup>	±5000
Shock Limit (g)	10000

**Notes**  
Typical  
Minimum  
±10%  
±2dB

#### ELECTRICAL

Capacitance (pF)	240
Insulation Resistance (MΩ)	>100
Ground Isolation	Isolated from Mounting Surface

Nominal  
@ 100Vdc

#### ENVIRONMENTAL

Temperature Response (%)	See Typical Temperature Response Curve
Operating Temperature (°C)	-73 to +260
Storage Temperature (°C)	-73 to +260
Humidity	Hermetically Sealed

#### PHYSICAL

Sensing Element	Ceramic (shear mode)
Case Material	Titanium
Electrical Connector	M3 Coaxial Receptacle
Weight (grams)	0.8
Mounting	Adhesive

<sup>1</sup> Operating range over which the accelerometer meets the linearity specifications

<sup>2</sup> Low-end response of the accelerometer is a function of its associated electronics.

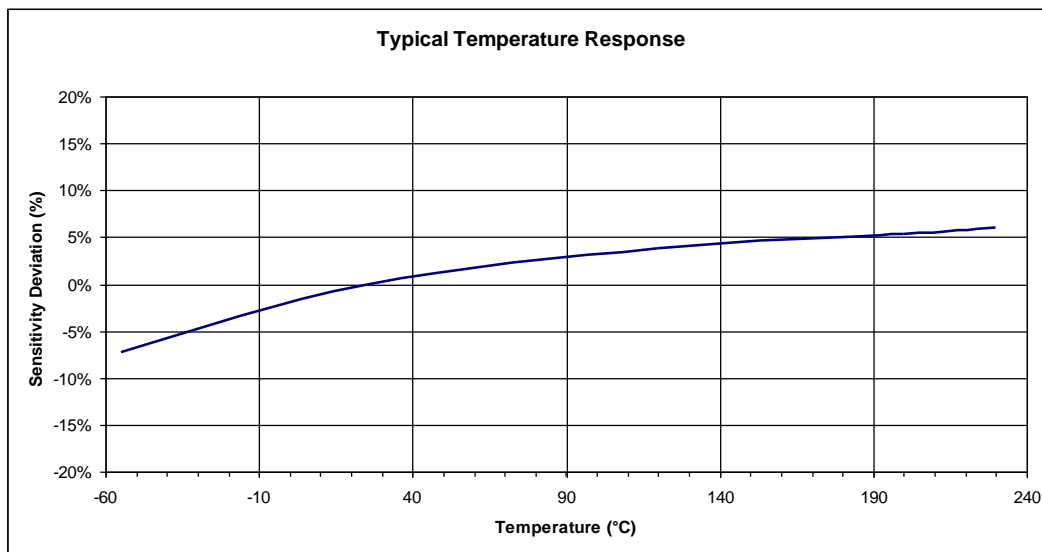
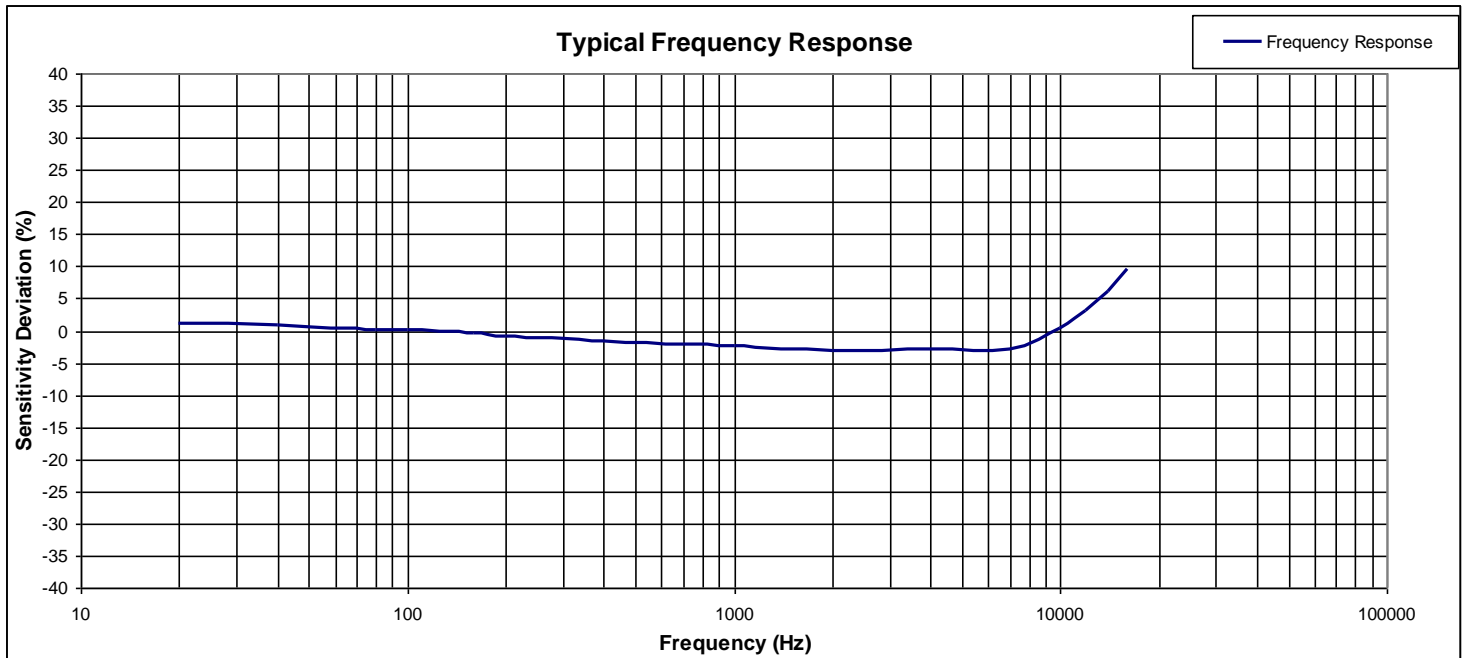
**Calibration supplied:** CS-FREQ-0100 NIST Traceable Amplitude Calibration from 20Hz to ±2dB Frequency Response Limit

**Optional accessories:** 321-XXX Low Noise Cable Assembly, M3 to 10-32 (XXX designates length in inches, 10ft standard)  
130 In-Line Charge Converter  
161A 4-Channel PE & IEPE Signal Conditioner, Bench Top  
AC-A04839 Triaxial Mounting Block

The information in this sheet has been carefully reviewed and is believed to be accurate; however, no responsibility is assumed for inaccuracies. Furthermore, this information does not convey to the purchaser of such devices any license under the patent rights to the manufacturer. Measurement Specialties, Inc. reserves the right to make changes without further notice to any product herein. Measurement Specialties, Inc. makes no warranty, representation or guarantee regarding the suitability of its product for any particular purpose, nor does Measurement Specialties, Inc. assume any liability arising out of the application or use of any product or circuit and specifically disclaims any and all liability, including without limitation consequential or incidental damages. Typical parameters can and do vary in different applications. All operating parameters must be validated for each customer application by customer's technical experts. Measurement Specialties, Inc. does not convey any license under its patent rights nor the rights of others.

# Model 7502A Accelerometer

## performance specifications



## ordering info

PART NUMBERING    Model Number

7502A