

A/121/V High Sensitivity Piezo-Tronic IEPE Accelerometer

100mV/g up to 3V/g $\pm 10\%$ 90gm Std temp 125°C

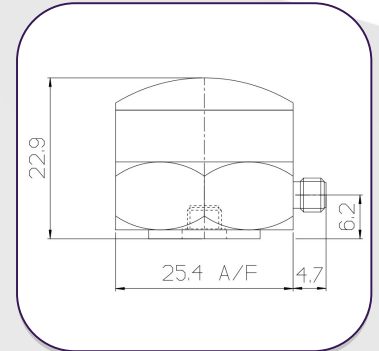
High output Konic shear IEPE vibration transducer utilizing DJB's unique and technically superior Konic shear design of piezoelectric ceramic sensor. Available with a sensitivity up to 3V/g which offers a measurement range of 1.6g the A/121 can be used to measure low level building vibration as well as other applications where minimal vibration is present.

Using a wide range of IEPE signal conditioning levels the A/121 range can interface directly to a wide range of commercially available vibration spectrum analyzers and data acquisition systems as well as in our own VB/01 & VB/02 and CV9 signal conditioners which offer a range of amplification options.

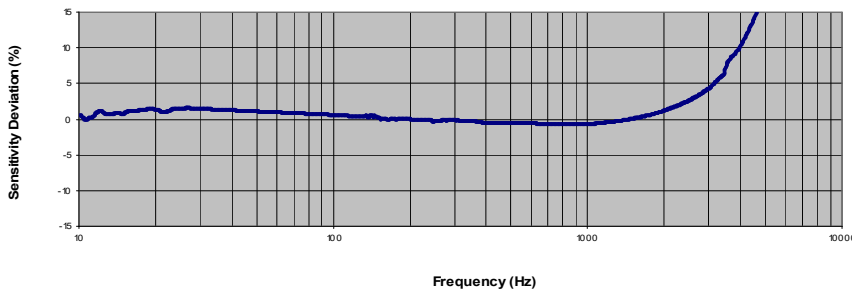
The A/121 is a cost effective solution for the measurement of low level vibration in a wide range of applications and is available with a side or top entry microdot connector.



A/121/V



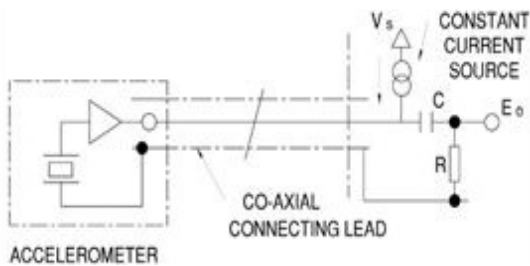
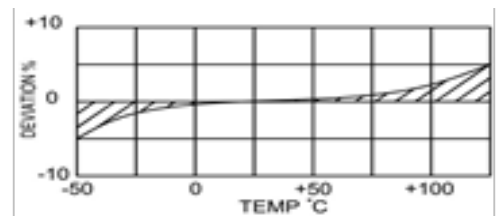
Typical Frequency Response



Typical Spectral Noise (100mV/g)

1Hz	732 $\mu\text{g}/\sqrt{\text{Hz}}$
10Hz	82.1 $\mu\text{g}/\sqrt{\text{Hz}}$
100Hz	16.2 $\mu\text{g}/\sqrt{\text{Hz}}$
1kHz	4.2 $\mu\text{g}/\sqrt{\text{Hz}}$
10kHz	3.1 $\mu\text{g}/\sqrt{\text{Hz}}$

Temperature Response



Please note: For information and reference only. Data should not be used as pass / fail criteria for calibration purposes

DJB Instruments (UK) Ltd
 Finchley Avenue,
 Mildenhall, Suffolk IP28 7BG

Tel +44 (0)1638 712 288
Email sales@djbinstruments.com
Web www.djbinstruments.com

A UK company with UK-based manufacturing, assembly and calibration in-house.

DJB Iss.5 2020



ISO 9001 – 00025363



A/121/V High Sensitivity Piezo-Tronic IEPE Accelerometer

100mV/g up to 3V/g $\pm 10\%$

90gm

Std temp 125°C

	Metric		Imperial	
	Voltage Sensitivity $\pm 10\%$	10.2mV/(m/s ²)	0.3V/(m/s ²)	100 mV/g
Resonant frequency	≥ 9 kHz			
Typical Frequency Response $\pm 5\%$ $\pm 10\%$	1Hz – 2kHz 0.7Hz – 3kHz			
Cross Axis error	$\leq 5\%$			
Temperature Range	-50/+125°C		-58/+257°F	
Voltage sensitivity deviation (20°C/68°C)	-5% @ -50°C +5% @ +125°C		-5% @ -58°F +5% @ +257°F	
Supply voltage	15/35 V DC			
Supply current	2/20 mA			
Bias voltage	10-14 VDC			
Output Impedance	$\leq 100\Omega$			
Shock level	4903m/s ²		500g	
Settling time within 10% bias	<5 seconds			
Base Strain Sensitivity	0.001g/ μ strain			
Broadband resolution (grms)	0.002			
Discharge Time Coef.	1 to 3 Seconds			
Non-linearity (%FS)	$\leq 1\%$			
Case material	Stainless steel, 303 S31			
Mounting	Base tapped hole, 10-32 UNF x 4mm deep		Base tapped hole, 10-32 UNF x 0.16in deep	
Weight	90gm		3.17oz	
Case seal	Welded			
Connector	10-32 UNF Microdot side entry			
Size	25.4 (A/F) x 22.9mm		1 (A/F) x 0.90in	

Please note: For information and reference only. Data should not be used as pass / fail criteria for calibration purposes

DJB Instruments (UK) Ltd

Finchley Avenue,
Mildenhall, Suffolk IP28 7BG

Tel +44 (0)1638 712 288
Email sales@djbinstruments.com
Web www.djbinstruments.com

A UK company with UK-based manufacturing, assembly and calibration in-house.

DJB Iss.5 2020



ISO 9001 – 00025363